



MARINE

ILLUSTRATED

PARTS MANUAL

MODEL MP5.0/5.7L

2002 - 2005 MY

This Page Was
Intentially
Left Blank

Contents:

Symbols	2
Maintenance Item Part Numbers	3
Cylinder Block Assembly - Figure 1	4
Cylinder Head Assembly - Figure 2	8
Intake Manifold Assembly - Figure 3	10
Intake Manifold Components - Figure 4	12
Oil Pan and Oil Pump Assembly - Figure 5	14
Throttle Body and Related Components - Figure 6	16
Remote Oil Filter Components ('02-'03) - Figure 7	18
Remote Oil Filter Components ('04) - Figure 8	20
Remote Oil Filter Components ('05) - Figure 9	22
Optional Remote Oil Filter Components ('05) - Figure 10	24
Fuel Control Cell (FCC) Components ('02-'04) - Figure 11	26
Fuel Control Cell (FCC) Components ('05) - Figure 12	28
OLD Returnless Fuel System Components - Figure 13 (thru S/N 630209)	30
NEW Returnless Fuel System Components - Figure 14 (S/N 630210 thru present)	34
Heat Exchanger and Components ('02-'03) - Figure 15	38
Heat Exchanger and Components ('04-'05) - Figure 16	40
Fresh Water Cooling System Components ('02-'03) - Figure 17	42
12° Fresh Water Cooling Installation - Unique Components ('02-'03) - Figure 18	46
Fresh Water Cooling System Components ('04) - Figure 19	48
Fresh Water Cooling System Components ('05) - Figure 20	50
Raw Water Cooling System Components ('02-'03) - Figure 21	54
Exhaust Manifold and Components - Figure 22	56
Raw Water Cooling Pump ('02-'04) - Figure 23	58
Raw Water Cooling Pump ('05) - Figure 24	60
Wiring Harness Assemblies and Senders - Figure 25	62
ECM and Relays - Figure 26	64
Accessory Drive System Components ('02-'04) - Figure 27	66
Accessory Drive System Components (Serpentine - LH) ('05) - Figure 28	68
Accessory Drive System Components (Serpentine - RH) ('05) - Figure 29	72
Starter Assembly Components - Figure 30	76
Engine and Transmission Mounts - Figure 31	78
Optional Engine and Transmission Mounts - Figure 32	80
Bellhousing Assembly - Figure 33	82
Transmission and Related Parts (Velvet Drive In-Line) - Figure 34	84
Transmission and Related Parts (Velvet Drive "V"-Drive) - Figure 35	86
Transmission and Related Parts (Velvet Drive 5000) - Figure 36	88
Transmission and Related Parts (Hurth Gear) - Figure 37	90
Right Hand Rotation Engine Components - Figure 38	94
Kits, Options, and Accessories	96

“TYPICAL VIEWS ARE SHOWN”

ENGINE ROTATION

Engine Rotation is identified as “RH” or “LH” with the engine model number. Rotation always is determined from the flywheel end looking toward the front of the engine. In some instances, propeller shaft rotation may be opposite to that of the engine.

When ordering a replacement engine, production block or parts for the engine, be certain to check engine rotation. **DO NOT rely on propeller rotation in order to determine engine rotation.**

LEFT-HAND ROTATION is STANDARD ROTATION.

(Flywheel turns counterclockwise when viewed from flywheel end of the engine.)

RIGHT-HAND ROTATION is OPPOSITE ROTATION.

(Flywheel turns clockwise when viewed from flywheel end of the engine.)

HOW TO READ THIS PARTS BOOK:

ITEM	PART NUMBER	DESCRIPTION	QUANTITY
1	RB001005H	Base Engine Assembly, 5.7L	1

- ① ITEM NUMBER - This number corresponds with the number in the exploded view on the facing page.
- ② PART NUMBER - This is the designated part number for the particular component or assembly.
- ③ DESCRIPTION - This identifies what the component or assembly is.
- ④ QUANTITY - This refers to the number of pieces used.

=====
 Symbols shown throughout parts list are defined here or on the bottom of the individual parts list page.

- AR = As Required
 - OPT = Optional
 - NSS = Not Serviced Separately
 - NA = Not Available
 - SS = Single Station Control
 - DS = Dual Station Control
 - OS = Oversize
 - US = Undersize
 - TBD = To Be Determined
 - NI = Not Illustrated
- =====

REPLACEMENT PARTS:



WARNING:

Electrical, ignition and fuel system components on Crusader Engines are designed and manufactured to comply with U.S. Coast Guard rules and regulations to minimize risks of fire or explosion.

Use of replacement electrical, ignition and fuel system components which do not comply with these rules and regulations could result in a fire or explosion hazard and should be avoided.

MAINTENANCE ITEM PART NUMBERS:

Description	Part Number
Oil Filter	22679
Kit, Transmission Oil Filter (ZF)	RP077011
Fuel Filter	RP080026
Spark Plugs	RP030010
Spark Plug Wire Set	RK120018A
Spark Plug Wire Set (RH)	RK120020
Alternator Drive Belt (70 Amp, MY '02-'04)	R066008
Alternator Drive Belt (100 Amp, MY '02-'04)	96307
Serpentine Drive Belt (LH, 70 Amp, MY '05)	R066028
Serpentine Drive Belt (LH, 100 Amp, MY '05)	R066030
Serpentine Drive Belt (RH, 70 Amp, MY '05)	R066029A
Serpentine Drive Belt (RH, 100 Amp, MY '05)	R066031
Impeller Kit	RP061017
Impeller Kit (MY '05)	RP061022
Thermostat (RWC)	R026002
Thermostat (FWC '01-'03)	R026002F
Thermostat (FWC '04-'05)	R026007

CHANGE NOTICE:

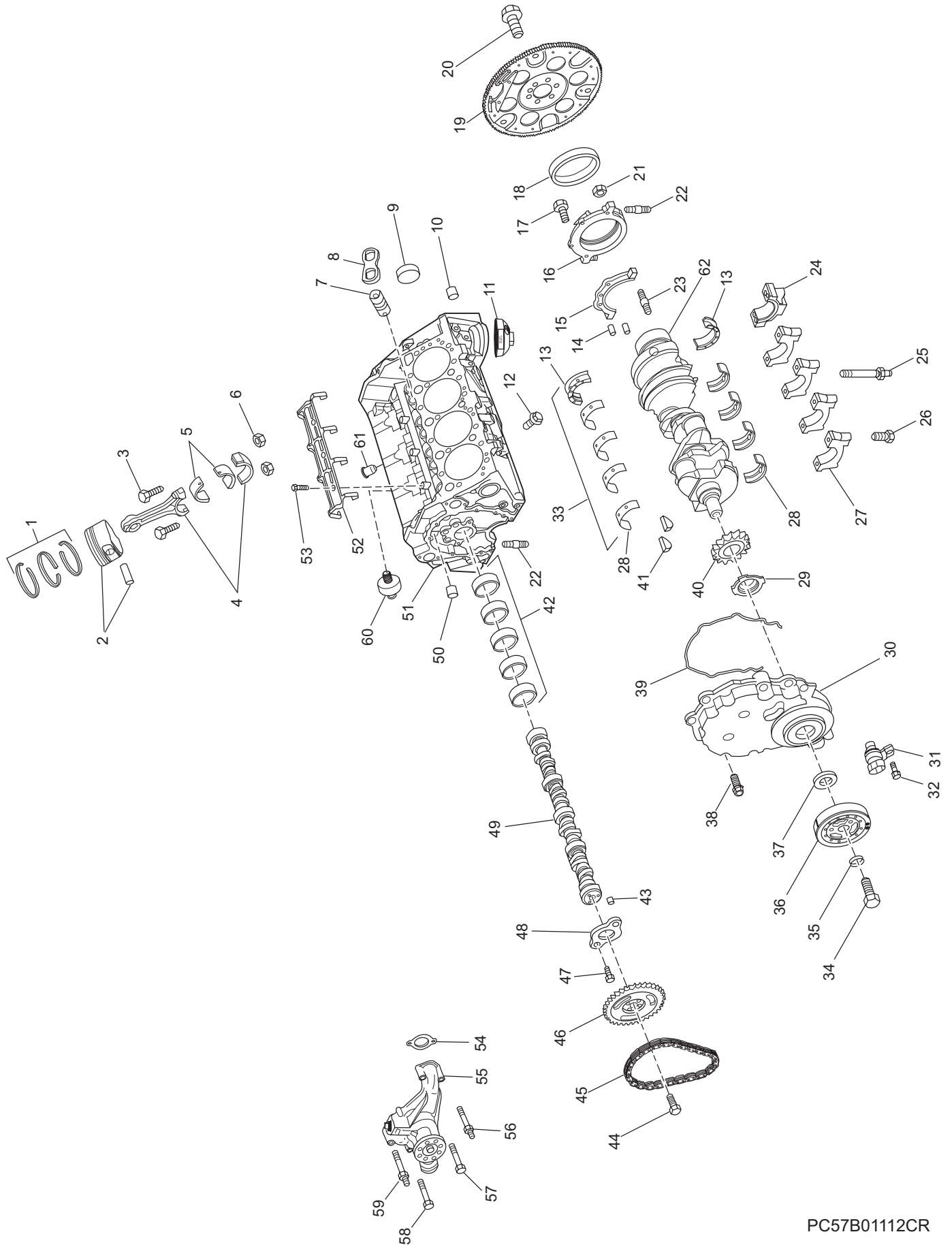
Change Pages	Date Updated
83, 95	04/07
29, 60-61, 83	05/07

MARINE TRANSMISSIONS:

Crusader Engines are equipped with Velvet Drive or Hurth Transmissions, or "V"-drives. If transmission parts are required, contact your dealer or closest Crusader Parts Distributor for required parts.

Parts manuals and overhaul manuals are available through Crusader Distributors.

CYLINDER BLOCK ASSEMBLY - FIGURE 1

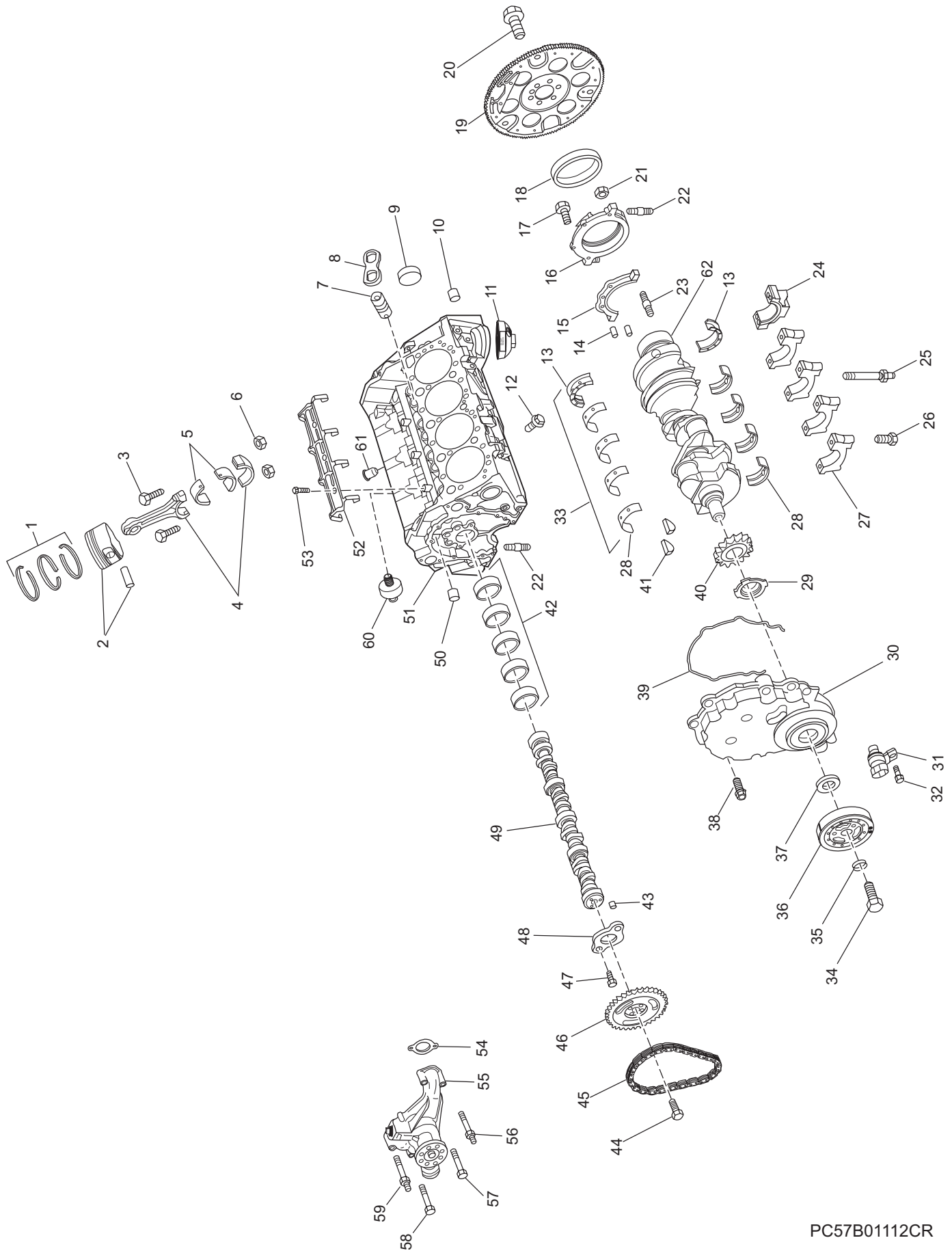


PC57B01112CR

CYLINDER BLOCK ASSEMBLY - FIGURE 1

ITEM	PART NUMBER	DESCRIPTION	QUANTITY
*	RB001005H	Base Engine Assembly (LH)	AR
*	RB001005A	Base Engine Assembly (RH)	AR
1	R015013	Ring Set , piston 5.7L (STD)	8
1	R015006	Ring Set , piston 5.0L (STD)	8
2	RA013016	Piston , 5.7L (STD)	8
2	RA013017	Piston , 5.0L (STD)	8
3	7080280	Bolt , connecting rod cap	16
4	RA011012	Connecting Rod (STD)	8
5	R007023	Bearing Set , connecting rod (STD)	8
6	7080050	Nut , connecting rod cap	16
7	R035038	Lifter , roller, valve	16
8	R037001	Guide , valve lifter	8
9	R069064	Plug , camshaft	1
10	33089	Plug , oil gallery	3
11	R079051	Adapter , oil bypass 5.7L	1
12	RS3552	Plug , engine block coolant drain hole	2
13	7050680	Bearing , crankshaft rear main (STD)	1
13	7057200	Bearing , crankshaft rear main (.001 US)	AR
13	7057220	Bearing , crankshaft rear main (.010 US)	AR
13	7057230	Bearing , crankshaft rear main (.020 US)	AR
14	7070340	Pin , crankshaft rear oil seal housing alignment	1
15	7070370	Gasket , crankshaft rear oil seal housing	1
16	R134070	Housing , crankshaft rear oil seal	1
17	7057250	Bolt , crankshaft rear oil seal housing, short	2
17	7057260	Bolt , crankshaft rear oil seal housing, long	1
18	R047173A	Seal , crankshaft rear oil (LH)	1
18	R047175	Seal , crankshaft rear oil (RH)	1
19	RA138008	Flywheel Assembly (Top Mount Starter)	1
19	RA138010	Flywheel Assembly (Bottom Mount Starter)	AR
20	7070480	Bolt , flywheel attaching	6
21	7057270	Nut , crankshaft rear oil seal housing	2
22	TBD	Stud , crankshaft rear oil seal housing	4
23	7050700	Stud , crankshaft rear oil seal housing	2
24	NSS	Cap , crankshaft bearing #5	1
25	7050870	Stud , crankshaft bearing cap	5
26	7050690	Bolt , crankshaft bearing cap	5
27	NSS	Cap , crankshaft bearing #1 - #4	4
28	7050670	Bearing , crankshaft main (STD)	4
28	7057170	Bearing , crankshaft main (.002 US)	AR
28	7057180	Bearing , crankshaft main (.010 US)	AR
28	7057190	Bearing , crankshaft main (.020 US)	AR
29	R056001	Ring , crankshaft position sensor reluctor (LH)	1
29	R056001A	Ring , crankshaft position sensor reluctor (RH)	1

CYLINDER BLOCK ASSEMBLY - FIGURE 1 (cont'd)

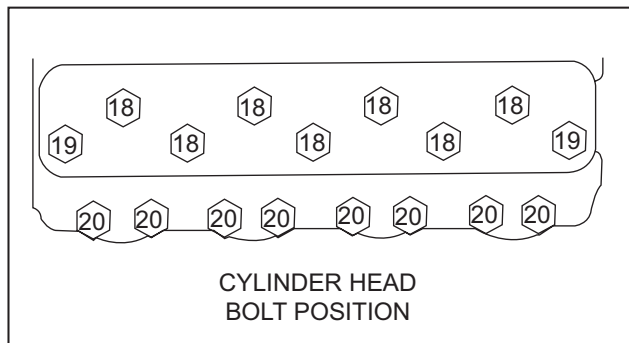
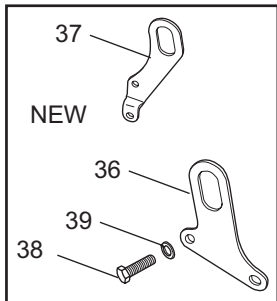
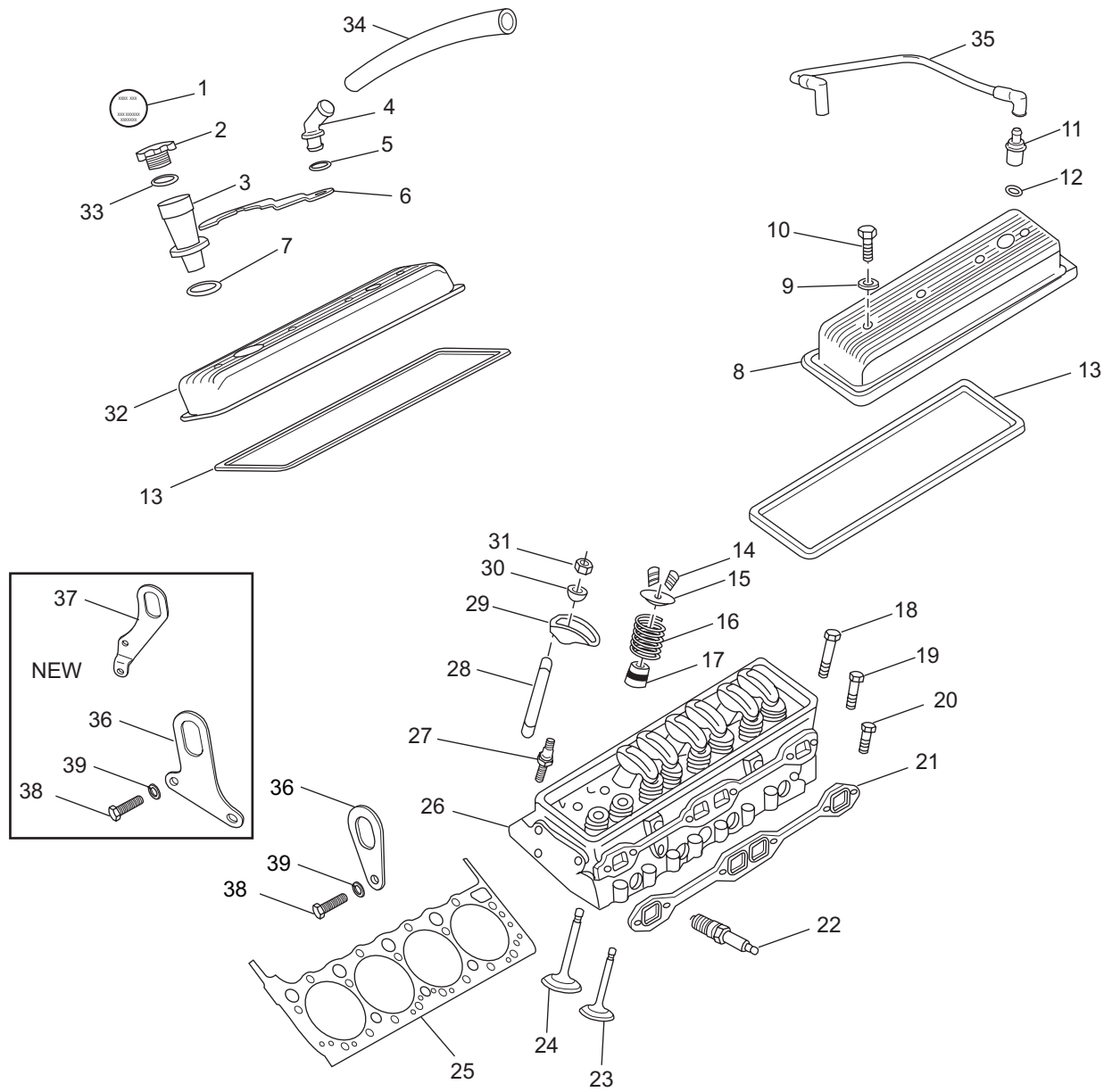


PC57B01112CR

CYLINDER BLOCK ASSEMBLY - FIGURE 1 (cont'd)

ITEM	PART NUMBER	DESCRIPTION	QUANTITY
30	R004010A	Cover , engine front cover (includes gasket and seal, '02-present)	1
30	R004010	Cover , engine front cover (includes gasket and seal, '97-'01 MY)	1
31	R020038	Sensor , crankshaft position	1
32	TBD	Bolt , crankshaft position sensor attaching	1
33	RK007020	Bearing Set , crankshaft main (STD)	1
34	R009091	Bolt , crankshaft balancer	1
35	R096074	Washer , crankshaft balancer bolt	1
36	R064010A	Balancer , crankshaft ('02 and newer)	1
36	R064010	Balancer , crankshaft ('97 - '01)	1
37	NSS	Seal , crankshaft front oil	1
38	R009177	Bolt , engine front cover attaching, short	6
38	R009176	Bolt , engine front cover attaching, long	2
39	NSS	Gasket , engine front cover	1
40	R054024	Sprocket , crankshaft	1
41	R164024	Key , crankshaft balancer	2
42	RK051030	Bearing Set , camshaft	1
42	7050630	Cam Bearing #1	1
42	7050640	Cam Bearing #2 & #5	2
42	7050650	Cam Bearing #3 & #4	2
43	R022022	Pin , camshaft sprocket locating	1
44	30698	Bolt , camshaft sprocket attaching	1
45	R055011	Chain , camshaft timing	1
46	R054041	Sprocket , camshaft	1
47	7070700	Bolt , camshaft retaining	2
48	R109050	Retainer , camshaft	1
49	RA050021	Camshaft , engine (LH)	1
49	RA050022	Camshaft , engine (RH)	1
50	7050740	Plug , oil gallery	1
51	NSS	Block , engine	
52	R090253A	Retainer , valve lifter	1
53	RS0279	Bolt , valve lifter retainer	3
54	RM0203	Gasket , water pump to engine block	2
55	RA057027	Water Pump Assembly	1
56	R095026	Stud , water pump attaching	1
57	RS0307	Bolt , water pump attaching	1
58	90305275	Bolt , water pump attaching	1
59	R095026	Stud , water pump attaching	1
60	R020027	Sensor , knock	1
61	98144	Plug , block, dipstick (305/350)	1
62	R006017A	Crankshaft , 350 1996/Later	1
NI	R069066	Plug , Brass, block 1 5/8"	8

CYLINDER HEAD ASSEMBLY - FIGURE 2

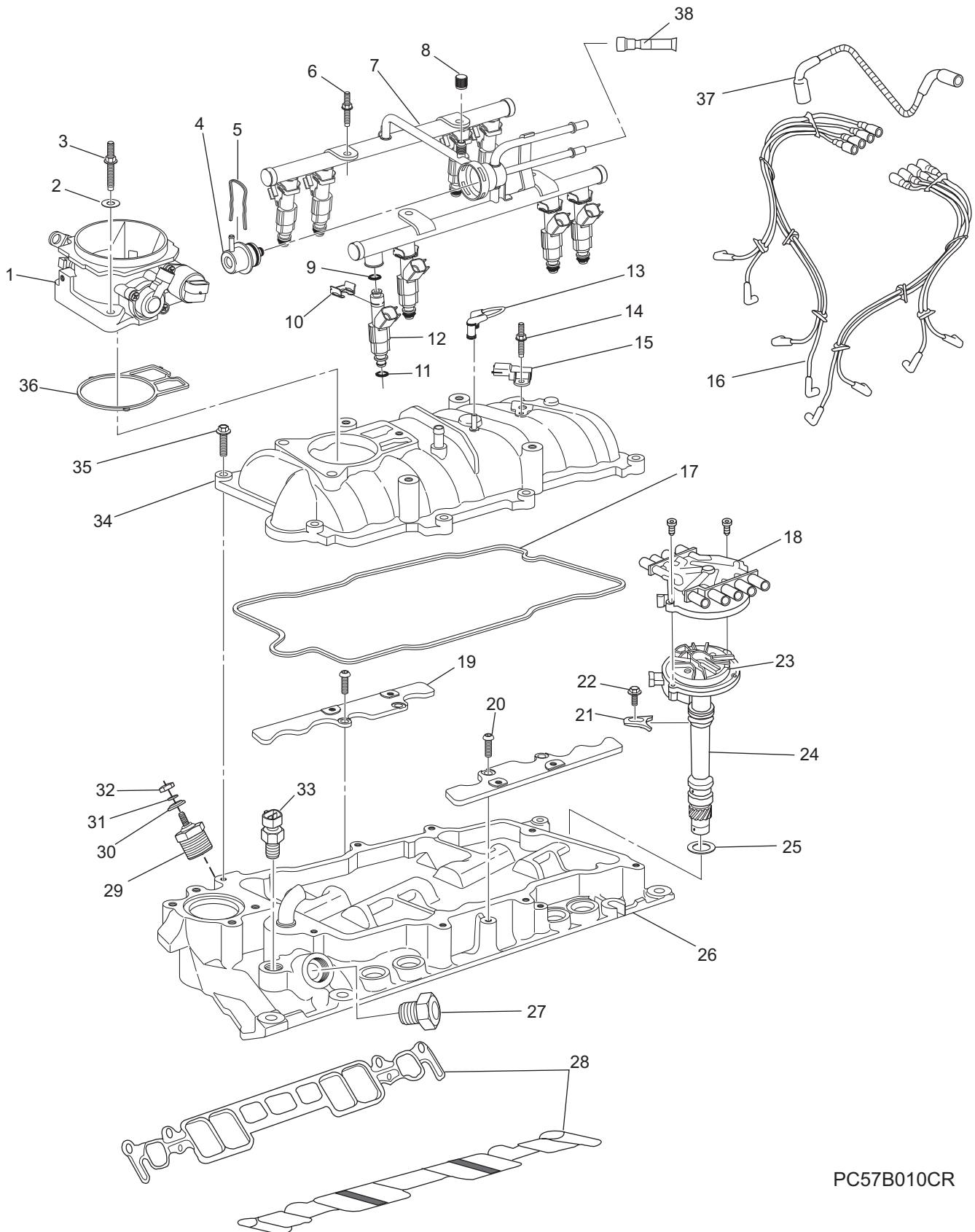


PC57B009CR

CYLINDER HEAD ASSEMBLY - FIGURE 2

ITEM	PART NUMBER	DESCRIPTION	QUANTITY
1	R143137	Decal , oil fill riser cap	1
2	R034037	Cap , oil fill riser	1
3	R034048	Riser , oil fill	1
4	R024013C	Elbow , breather tube	1
5	R094002	Grommet , breather tube elbow	1
6	R127098	Retainer , oil fill riser	1
7	R047228	Grommet , oil fill riser	1
8	R033008A	Cover , rocker (left side)	1
9	98009	Washer , rocker cover retaining bolt	8
10	7231510	Bolt , rocker cover retaining	8
11	R035015	Valve , positive crankcase ventilation	1
12	R094015	Grommet , pcv valve	1
13	RM0193	Gasket , rocker cover	2
14	R049012	Retainer , valve stem	32
15	R049015	Cap , valve spring	16
16	R046050	Valve Spring Assembly	16
17	R047238	Seal , valve stem (intake)	8
17	R047239	Seal , valve stem (exhaust)	8
18	R009168	Bolt , cylinder head to engine block (long)	14
19	7057300	Bolt , cylinder head to engine block (medium)	4
20	7057280	Bolt , cylinder head to engine block (short)	16
21	96306	Gasket , exhaust manifold	2
22	R030010	Spark Plug	8
23	R043035	Valve , (intake)	8
24	R043036	Valve , (exhaust)	8
25	RM0195	Gasket , cylinder head	2
26	R003007B	Cylinder Head Assembly (5.0L)	2
26	R003008B	Cylinder Head Assembly (5.7L)	2
27	R095034	Stud , valve rocker arm	16
27	7230920	Stud , valve rocker arm (.013 OS)	AR
27	R095035	Stud , valve rocker arm (.033 OS)	AR
28	R039023	Push Rod	16
29	R038015	Rocker Arm , valve	16
30	R038011	Ball , rocker arm	16
31	R017069	Nut , rocker arm attaching	16
32	R033008	Cover , rocker (right side)	1
33	R047228	O-Ring , oil fill riser cap	1
34	20806	Hose , breather	1
35	TBD	Tube , PCV	1
36	R0420008	Bracket , lift ring, front and rear	2
36	R042015	Bracket , lift ring (front, replaces R042008)	1
37	R042014	Bracket , lift ring (rear, replaces R042008)	1
38	RS0304	Bolt , lift ring attaching	3
39	RS2180	Lockwasher , lift ring attaching	3

INTAKE MANIFOLD ASSEMBLY - FIGURE 3

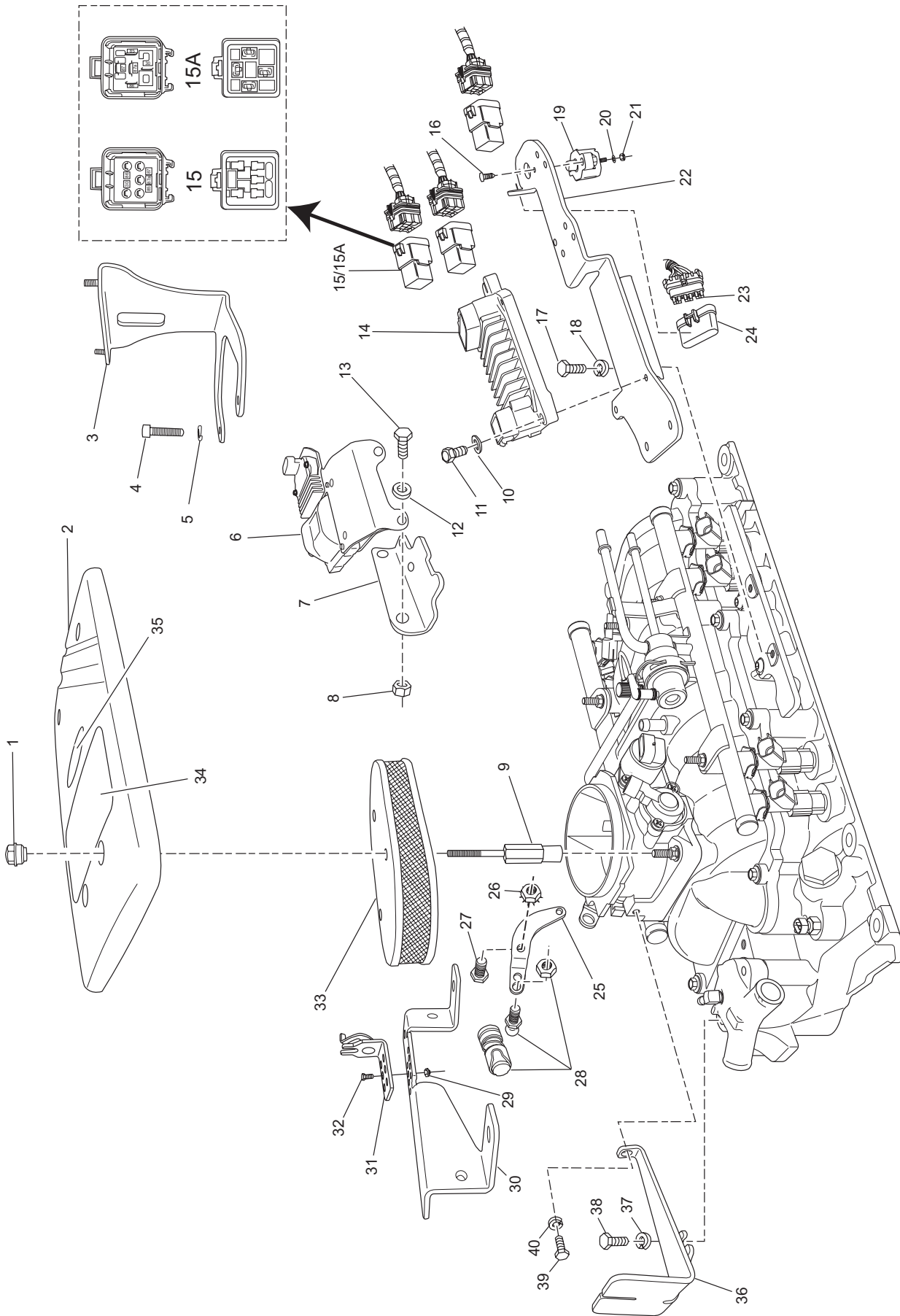


PC57B010CR

INTAKE MANIFOLD ASSEMBLY - FIGURE 3

ITEM	PART NUMBER	DESCRIPTION	QUANTITY
1	RA035040	Throttle Body , mechanical throttle	1
2	NSS	Washer , throttle body attaching stud	3
3	R095040	Stud , throttle body attaching	3
4	R088002	Regulator , fuel pressure	1
5	TBD	Retainer , fuel pressure regulator	1
6	R095041	Stud , fuel rail attaching	4
7	RA086002	Fuel Rail Assembly	1
8	TBD	Cap , fuel pressure service port	1
9	NSS	O-Ring , fuel injector (top)	8
10	TBD	Clip , fuel injector retaining	8
11	NSS	O-Ring , fuel injector (bottom)	8
12	RA087007	Fuel Injector Assembly	8
13	R085074A	Hose , fuel pressure regulator vacuum	1
14	R095041	Stud , MAP sensor attaching	1
15	R020039	Sensor , manifold absolute pressure	1
16	RK120018A	Spark Plug Wire Set	1
16	RK120020	Spark Plug Wire Set (5.0/5.7 RH)	1
17	RM0271	Gasket , upper intake manifold to lower	1
18	RA108009	Cap , distributor	1
19	NSS	Plate , component attaching	2
20	TBD	Bolt , component attaching plate attaching	4
21	R127026A	Hold Down , distributor	1
22	R009193	Bolt , distributor hold down	1
23	R103011	Rotor , distributor	1
24	RA107044	Distributor Assembly (LH)	1
24	RA107045	Distributor Assembly (RH)	1
25	RM0123	Gasket , distributor assembly	1
26	R002023	Intake Manifold , lower	1
27	R069069	Plug , intake manifold	1
28	RM0250	Gasket , intake manifold	2
29	R020003	Sender , temperature (SS)	1
29	22701	Sender , temperature (DS)	AR
30	RS2746	Washer , sender terminal	1
31	RS2197	Lockwasher , sender terminal	1
32	RS1540	Nut , sender terminal	1
33	R020019	Sensor , engine coolant temperature	1
34	R002024	Intake Manifold , upper	1
35	TBD	Bolt , upper intake manifold to lower attaching	8
36	RM0272	Gasket , throttle body to upper manifold	1
37	RA120018	Coil Wire , Ignition (red)	1
38	RK085011	Blockoff , fuel line, fuel rail rtn	AR

INTAKE MANIFOLD COMPONENTS - FIGURE 4

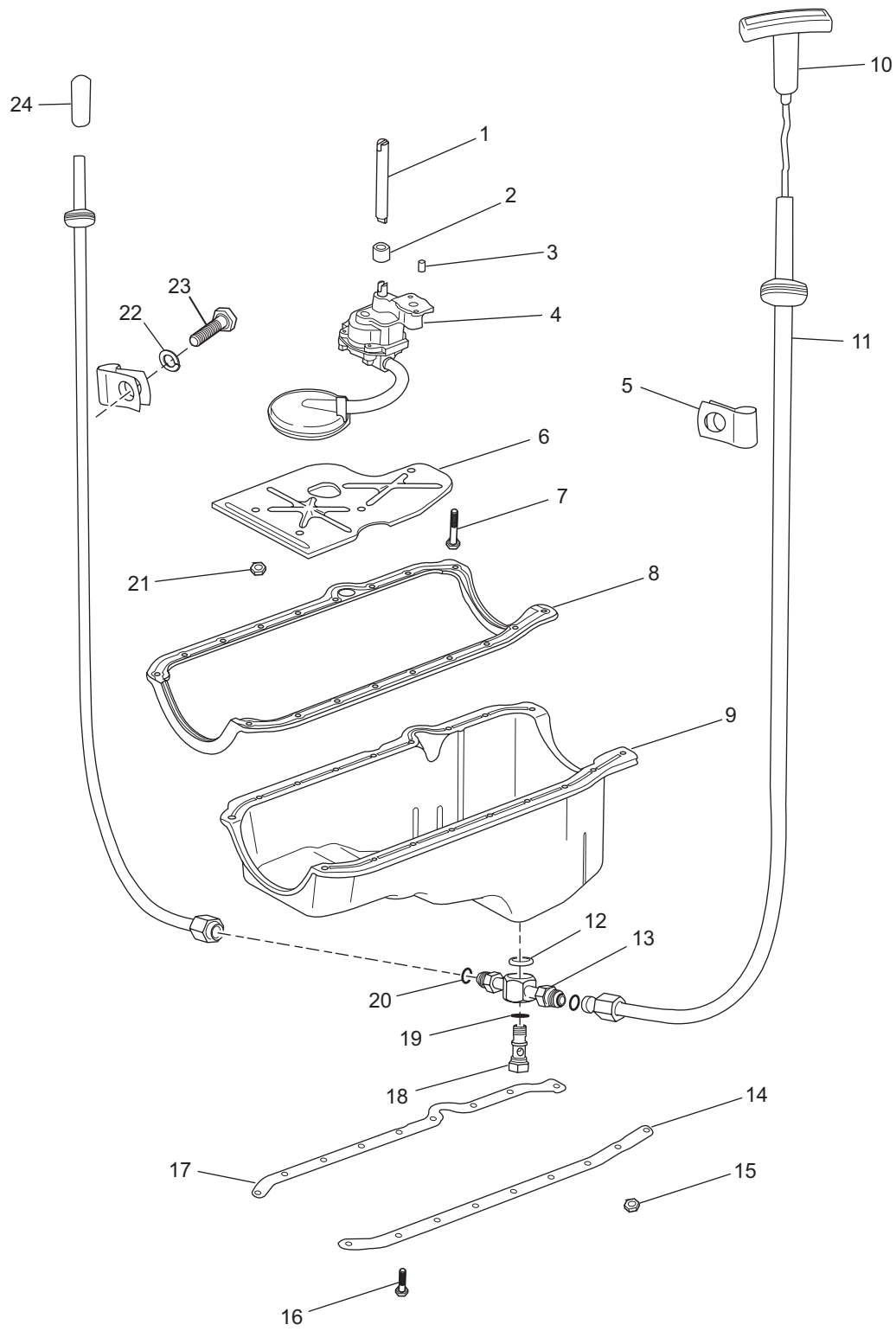


PC57B008CR

INTAKE MANIFOLD COMPONENTS - FIGURE 4

ITEM	PART NUMBER	DESCRIPTION	QUANTITY
1	R009194	Nut , engine cover attaching	4
2	R060059	Cover , engine	1
3	R090259	Bracket , engine cover mounting	1
4	RS6257	Bolt , engine cover bracket attaching	2
5	93920000	Lockwasher , engine cover bracket attaching	2
6	RA117011	Ignition Coil/Module Assembly	1
7	R090249	Bracket , ignition coil/module assembly mounting	1
8	RS2058	Nut , attaching	2
9	R095038	Stud , flame arrestor/engine cover attaching	2
10	RS2178	Washer , ECM attaching	2
11	90105075	Bolt , ECM attaching	2
12	92100000	Washer , attaching	2
13	RS0254	Bolt , attaching	2
14	R116021L cksum - 16259 (3F83)	Engine Control Module (5.0L - LH) (With round 10-pin boat harness connection)	AR
14	R116021B cksum - 33193 (81A9)	Engine Control Module (5.7L - LH) (With round 10-pin boat harness connection)	AR
14	R116021N cksum - 33641/33659	Engine Control Module (5.7L - LH) (8369/837B) (With 16-pin boat harness connection)	AR
14	R116021E cksum - 8081 (1F91)	Engine Control Module (5.7L - RH) (With round 10-pin boat harness connection)	AR
15	R130012	Relay Assembly (refer to diagram)	3
15A	R130011A	Relay Assembly (refer to diagram)	3
16	RS5084	Bolt , circuit breaker mounting	2
17	98223016	Bolt , bracket attaching	2
18	93920000	Lockwasher , bracket attaching	2
19	R153006C	Circuit Breaker Assembly (60 amp)	1
NI	R143177	Decal , Circuit Breaker	1
20	NSS	Washer , circuit breaker terminal	2
21	NSS	Nut , circuit breaker terminal	2
22	R090250	Bracket , ECM/relay mounting	1
23	R153017B	Fuses , 20 amp	3
24	R126014	Cover , fuse holder	1
25	R081007	Throttle Arm , throttle body	1
26	RS1078	Nut , throttle arm attaching	2
27	RS0251	Bolt , throttle arm attaching	2
28	R178003	Ball Joint Assembly , cable attaching	1
29	RS2055	Locking Nut , cable clip mounting bolt	2
30	R090248	Throttle Bracket , intake	1
31	R090086	Attaching Clip , throttle cable (single)	1
32	RS5122	Bolt , cable clip mounting	2
33	R145025	Flame Arrestor	1
NI	R143090	Decal , flame arrestor	1
34	R143130	Decal , "Captain's Choice"	1
34	R143130A	Decal , "Crusader Engines"	1
35	R143140	Decal , "5.7 MPI" silver/red	1
36	R090301	Bracket , degas bottle (V-Drive)	1
37	RS2179	Lockwasher , housing attaching	2
38	98333040	Bolt , thermostat housing attaching	2
39	93920000	Bolt , degas bottle brkt attaching	1
40	98223016	Lockwasher , degas bottle brkt attaching	1

OIL PAN and OIL PUMP ASSEMBLY - FIGURE 5

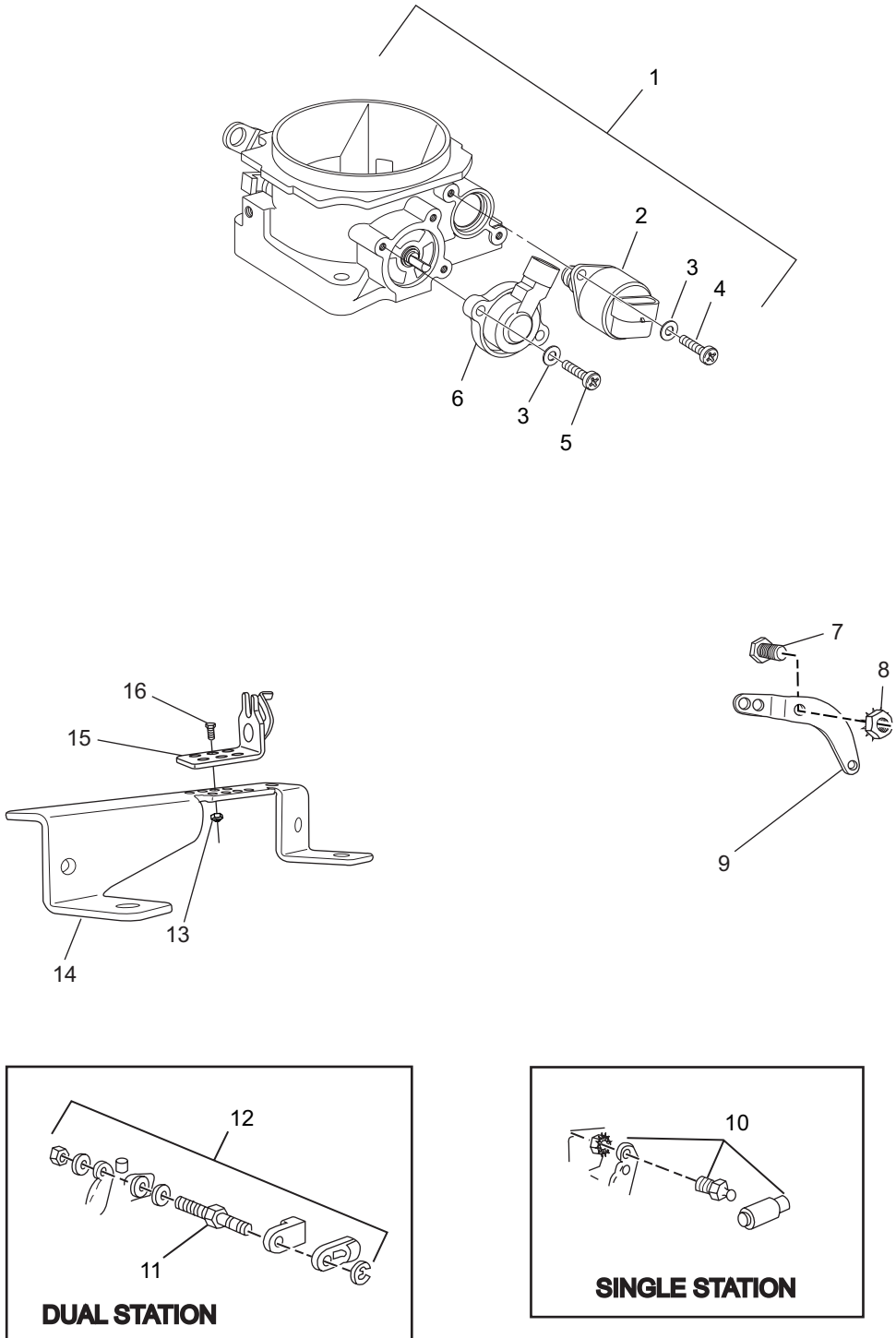


PC57B024CR

OIL PAN and OIL PUMP ASSEMBLY - FIGURE 5

ITEM	PART NUMBER	DESCRIPTION	QUANTITY
1	R058054	Shaft , oil pump drive	1
2	7100220	Retainer , oil pump drive shaft	1
3	R022022	Pin , oil pump locating	2
4	RA070010	Oil Pump Assembly	1
5	R127015	Clamp , strap	2
6	R012028	Deflector , crankshaft oil	1
7	7100250	Bolt , oil pump	1
8	RM0249	Gasket , oil pan	1
9	R005011	Oil Pan , stamped	1
9	97920	Oil Pan , cast (not shown)	1
10	R041073	Dipstick , oil level (0-4 degree)	1
10	R041074	Dipstick , oil level (12 degree)	AR
10	R041075	Dipstick , oil level (V-drive)	AR
11	R041078	Tube , oil level dipstick	2
12	23535	O-ring , oil pan dipstick tube fitting	1
13	98432	Fitting , oil pan dipstick tube	1
14	7090440	Reinforcement , oil pan (LH)	1
15	95200010	Nut , oil pan	4
16	R009157	Bolt , oil pan	14
17	7090450	Reinforcement , oil pan (RH)	1
18	98466	Bolt , oil pan dipstick tube fitting	1
19	NSS	O-ring , oil pan dipstick tube fitting bolt	1
20	NSS	O-ring , oil pan dipstick tube	2
21	7050360	Nut , crankshaft oil deflector	5
22	RS2180	Lockwasher , strap clamp	2
23	RS0302	Bolt , strap clamp	2
24	45343	Cap , oil pan dipstick tube	1
		“CAST OIL PAN”	
NI	RS3551	Pipe Plug , HX SOC Brass 3/8”, port and fwd	2
NI	30615	Fitting , oil pan dipstick tube, 45°, brass, stbd	1
NI	98350	Tube , dipstick, 0°	AR
NI	98351	Tube , dipstick, 4°	AR
NI	98352	Tube , dipstick, 12°	AR
NI	98283	Dipstick , oil level	1
NI	90245200	Bolt , oil pan, 5/16-18 X 2”, front	2
NI	90245150	Bolt , oil pan, 5/16-18 X 1-1/2”, rear	2
NI	RS2179	Lockwasher , oil pan, 5/16”	4
NI	90105175	Bolt , oil pan, 1/4-20 X 1-3/4”, port front	4
NI	RS0258	Bolt , oil pan, 1/4-20 X 1-1/2”, stbd, port rear	8
NI	RS2178	Lockwasher , oil pan, 1/4”	12

THROTTLE BODY and RELATED COMPONENTS - FIGURE 6

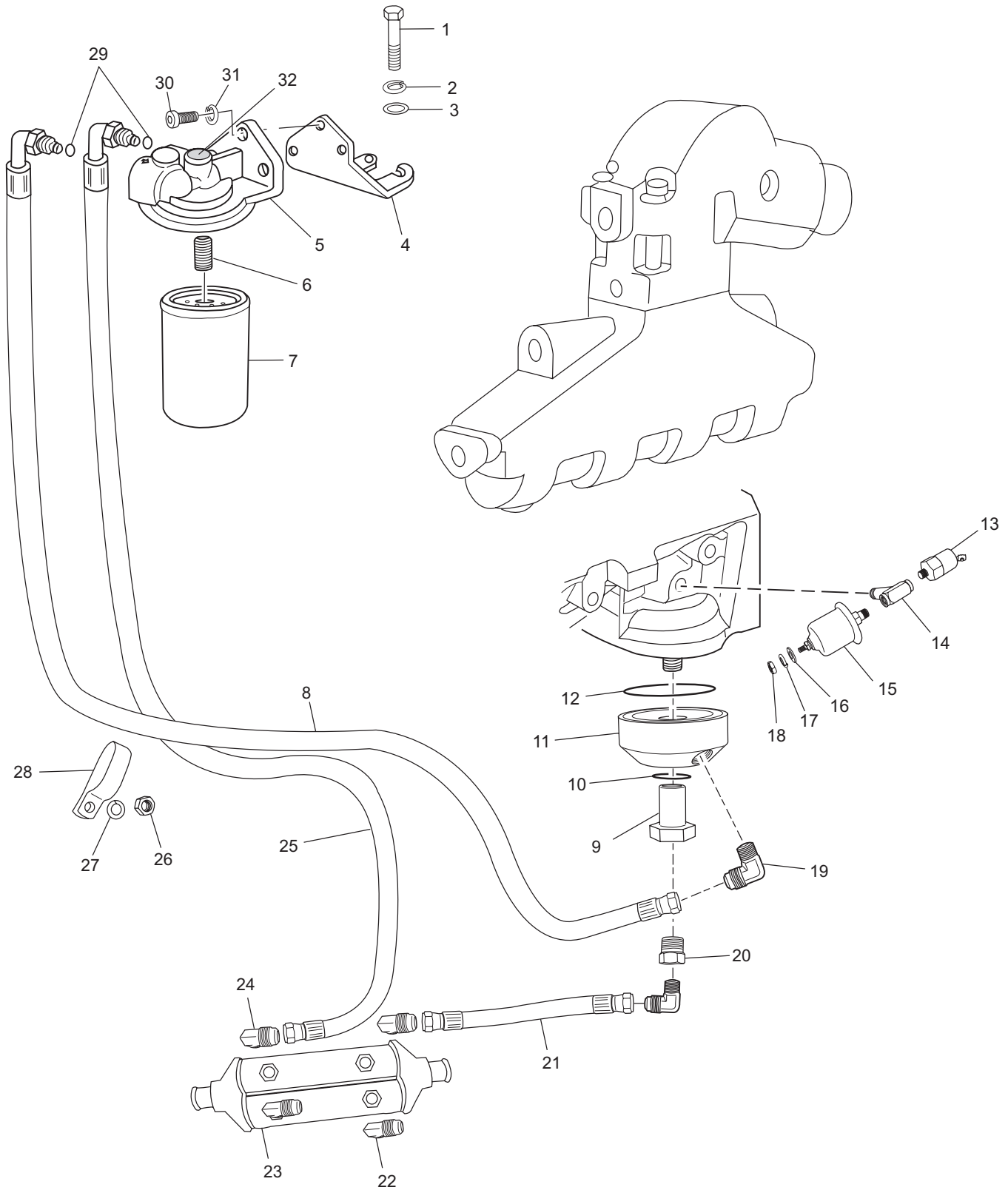


PC57B023CR

THROTTLE BODY and RELATED COMPONENTS - FIGURE 6

ITEM	PART NUMBER	DESCRIPTION	QUANTITY
1	RA035040	Throttle Body Assembly	1
2	R084003	Valve , idle air control	1
3	TBD	Washer , IAC valve/TP sensor attaching	4
4	TBD	Screw , IAC valve attaching	2
5	TBD	Screw , TP sensor attaching	2
6	R020041	Sensor , throttle position	1
7	RS0251	Bolt , throttle arm attaching	2
8	RS1078	Nut , throttle arm attaching	2
9	R081007	Throttle Arm , throttle body	1
10	R178003	Ball Joint Assembly , cable attaching (single)	1
11	22978	Pivot Pin , cable attaching (dual)	AR
12	23235	Cable Attaching Kit , dual	AR
13	RS2055	Locking Nut , cable clip mounting bolt	2
14	R090248	Throttle Bracket , intake	1
15	R090086	Cable Clip , throttle attaching (single)	1
16	RS5122	Bolt , cable clip mounting	2

REMOTE OIL FILTER COMPONENTS ('02-'03) - FIGURE 7

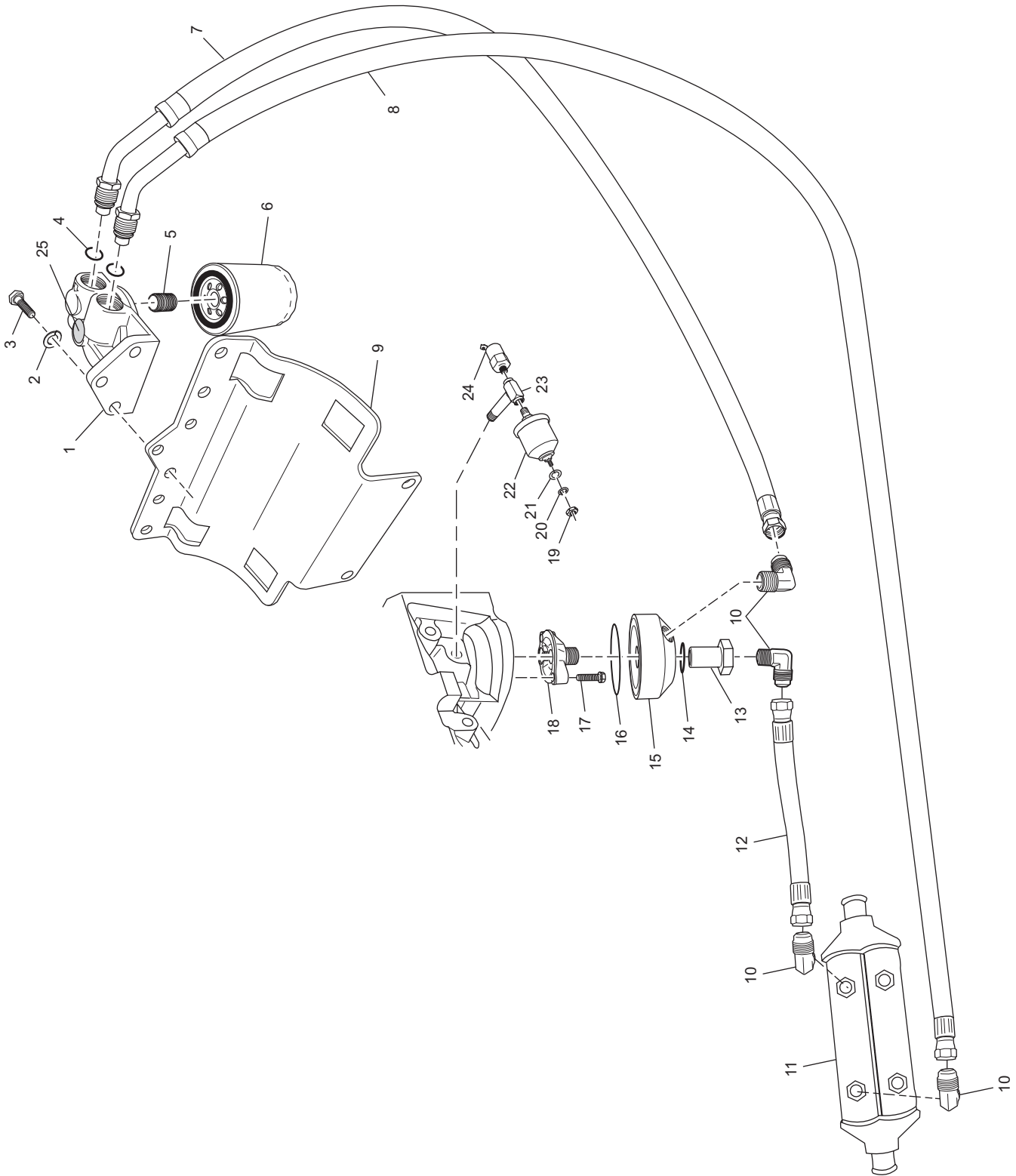


PC57B020CR

REMOTE OIL FILTER COMPONENTS ('02-'03) - FIGURE 7

ITEM	PART NUMBER	DESCRIPTION	QUANTITY
1	90305525	Bolt , oil filter header mounting bracket attaching	2
2	RS2180	Lockwasher , attaching bolt	2
3	RS2674	Washer , attaching bolt	2
4	R090226	Bracket , oil filter header mounting	1
5	R079066	Oil Filter Header	1
6	R024203	Nipple , header filter adapter	1
7	22679	Filter , oil	1
8	RA045120D	Hose Assembly , bypass adapter to filter header	1
9	R017073	Fitting , oil bypass adapter attaching	1
10	R047202	O-ring , oil bypass adapter attaching fitting	1
11	R079051	Adapter , oil bypass	1
12	R047203	O-ring , oil bypass adapter	1
13	R020015A	Switch , oil pressure	1
14	R024205	Tee , sender attaching	1
15	R020001	Sender , oil pressure	1
16	RS2746	Washer , sender terminal	1
17	RS2197	Lockwasher , sender terminal	1
18	RS1540	Nut , sender terminal	1
19	R024184	Fitting , 90 degree	2
20	R024182	Fitting , adapter	1
21	RA045103D	Hose Assembly , oil cooler to bypass adapter	1
22	R024010	Fitting , 90 degree	2
23	R147035	Cooler , dual, oil/transmission	1
24	R024184	Fitting , 90 degree	2
25	RA045120D	Hose Assembly , filter header to oil cooler	1
26	RS1028	Nut , strap clamp attaching	1
27	RS2180	Lockwasher , strap clamp attaching	1
28	R127099	Clamp , strap	3
29	R047245	O-Ring , oil line	2
30	99333020	Bolt , oil filter header mounting	3
31	RS2179	Lockwasher , oil filter header mounting bolt	3
32	R143175	Decal , "Caution Hot"	1

REMOTE OIL FILTER COMPONENTS ('04) - FIGURE 8

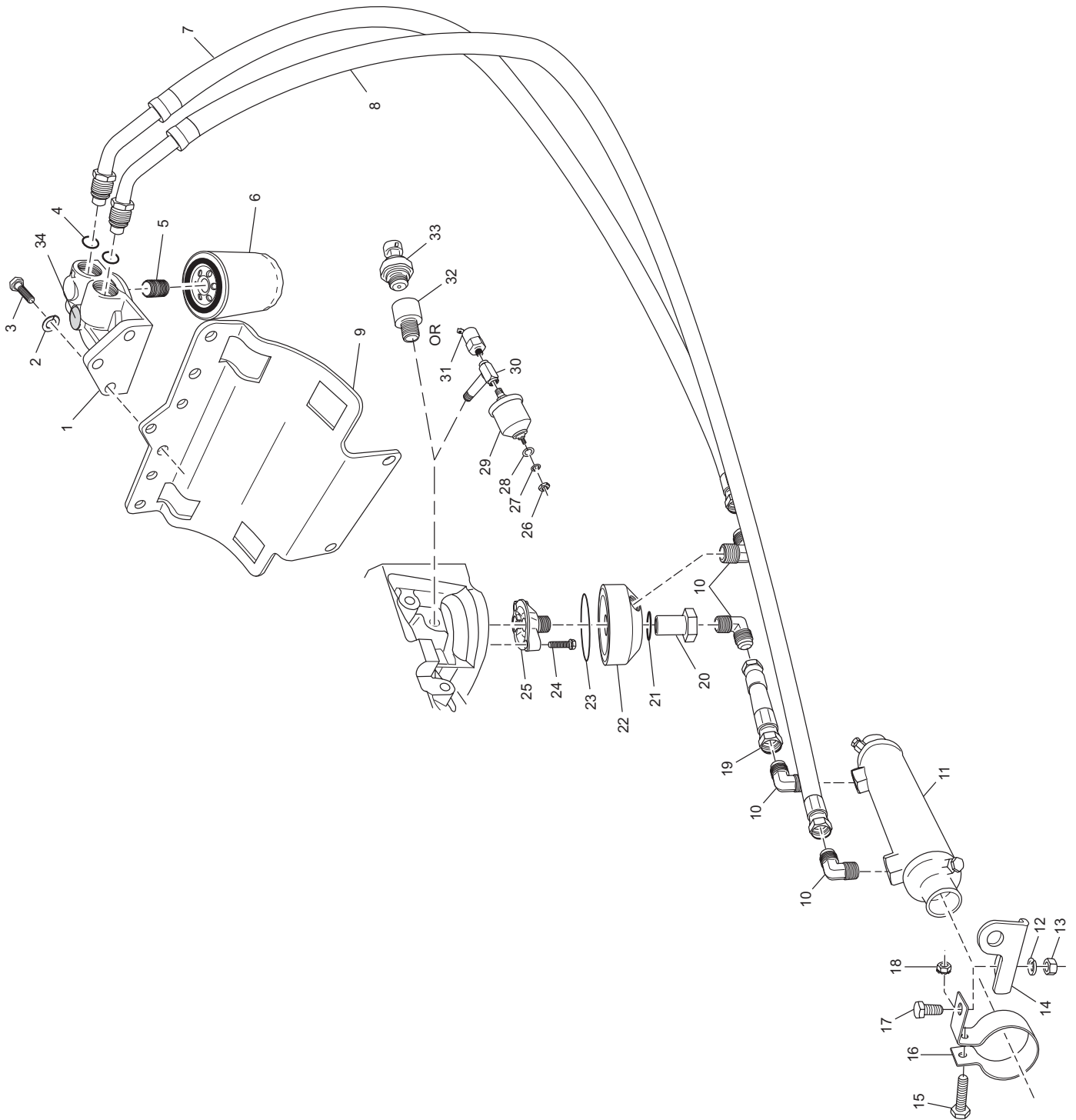


PC57B020CR_04

REMOTE OIL FILTER COMPONENTS ('04) - FIGURE 8

ITEM	PART NUMBER	DESCRIPTION	QUANTITY
1	R079066	Oil Filter Header	1
2	RS2179	Lockwasher , header mounting to brkt	3
3	RS0280	Bolt , header mounting to brkt	3
4	R047245	O-Ring , oil line	2
5	R024203	Nipple , header filter adapter	1
6	22679	Filter , oil	1
7	RA045155	Hose , oil, adapter to remote oil filter	1
8	RA045155A	Hose Assembly , filter header to bypass adapter	1
9	R090258	Bracket , ROF header mounting	1
10	R024184	Fitting , 5/8SAE X 1/2NPT, 90 degree	2
11	R147035	Cooler , dual, oil/transmission	1
12	RA045103D	Hose Assembly , cooler to bypass adapter	1
13	R017073	Bolt , oil bypass adapter	1
14	R047203	O-ring , small	1
15	R079051	Adapter , oil bypass adapter	1
16	R047202	O-ring , large	1
17	R009089	Bolt , oil adapter	2
18	RA079028	Adapter , oil	1
19	RS1540	Nut , sender terminal	1
20	RS2197	Lockwasher , sender terminal	1
21	RS2746	Washer , sender terminal	1
22	R020001	Sender , oil pressure	1
23	R024205	Tee , sender attaching	1
24	R020015A	Switch , oil pressure	1
25	R143175	Decal , "Caution Hot"	1

REMOTE OIL FILTER COMPONENTS ('05) - FIGURE 9

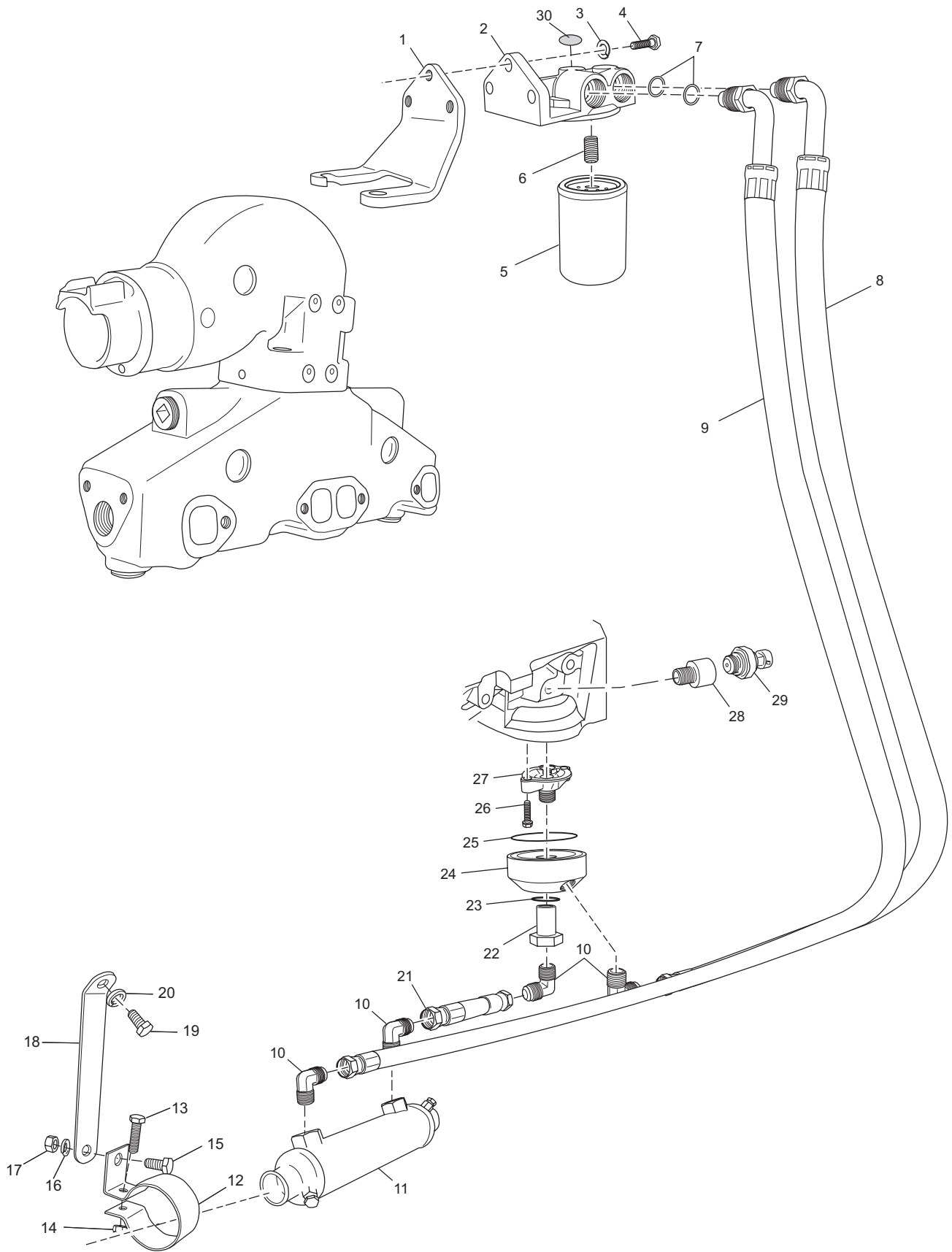


PC57B020CR_05

REMOTE OIL FILTER COMPONENTS ('05) - FIGURE 9

ITEM	PART NUMBER	DESCRIPTION	QUANTITY
1	R079066	Oil Filter Header	1
2	RS2179	Lockwasher , header mounting to brkt	3
3	RS0280	Bolt , header mounting to brkt	3
4	R047245	O-Ring , oil line	2
5	R024203	Nipple , header filter adapter	1
6	22679	Filter , oil	1
7	RA045155B	Hose Assembly , filter header to bypass adapter	1
8	RA045155A	Hose Assembly , cooler to filter header	1
9	R090258	Bracket , ROF header mounting	1
10	R024184	Fitting , 5/8SAE X 1/2NPT, 90 degree	2
11	R147049	Cooler , oil	1
12	RS2180	Lockwasher , oil cooler attaching	1
13	RS1028	Nut , oil cooler attaching	1
14	R090013A	Bracket , oil cooler attaching	1
15	RS0256	Bolt , oil cooler mounting	1
16	R090010	Bracket , oil cooler mounting	1
17	RS0302	Bolt , oil cooler attaching	1
18	RS2058	Nut , oil cooler mounting	1
19	RA045103D	Hose Assembly , cooler to bypass adapter	1
20	R017073	Bolt , oil bypass adapter	1
21	R047203	O-ring , small	1
22	R079051	Adapter , oil bypass adapter	1
23	R047202	O-ring , large	1
24	R009089	Bolt , oil adapter	2
25	RA079028	Adapter , oil	1
26	RS1540	Nut , sender terminal	1
27	RS2197	Lockwasher , sender terminal	1
28	RS2746	Washer , sender terminal	1
29	R020001	Sender , oil pressure	1
30	R024205	Tee , sender attaching	1
31	R020015A	Switch , oil pressure	1
32	R024223	Adapter , CAN BUS oil pressure sensor	AR
33	R020048	Sensor , CAN BUS oil pressure	AR
34	R143175	Decal , "Caution Hot"	1

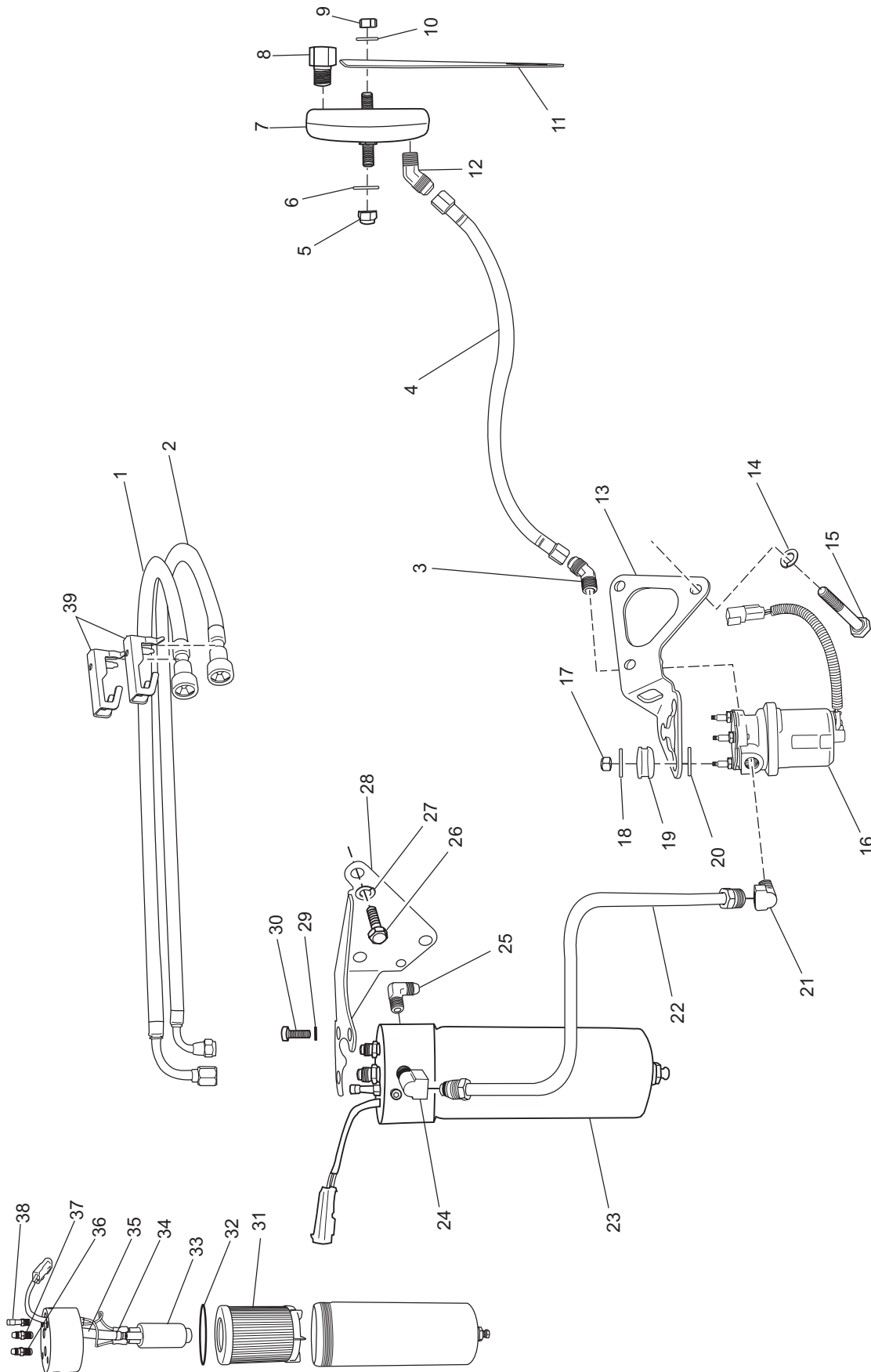
OPTIONAL REMOTE OIL FILTER COMPONENTS ('05) - FIGURE 10



OPTIONAL REMOTE OIL FILTER COMPONENTS ('05) - FIGURE 10

ITEM	PART NUMBER	DESCRIPTION	QUANTITY
1	R090226	Bracket , ROF header mounting	1
2	R079066	Oil Filter Header	1
3	RS2179	Lockwasher , header mounting to brkt	3
4	RS0280	Bolt , header mounting to brkt	3
5	R047245	O-Ring , oil line	2
6	R024203	Nipple , header filter adapter	1
7	22679	Filter , oil	1
8	RA045120D	Hose Assembly , filter header to bypass adapter	1
9	RA045120B	Hose Assembly , cooler to filter header	1
10	R024184	Fitting , 5/8SAE X 1/2NPT, 90 degree	2
11	R147049	Cooler , oil	1
12	R090010	Clamp , oil cooler	1
13	RS0256	Bolt , oil cooler clamp	1
14	RS2058	Nut , oil cooler clamp	1
15	90318275	Bolt , oil cooler clamp to bracket attaching	1
16	9330000	Lockwasher , oil cooler clamp to bracket attaching	1
17	95310300	Nut , oil cooler clamp to bracket attaching	1
18	R090233A	Bracket , oil cooler attaching	1
19	98443025	Bolt , bracket attaching	1
20	93940000	Lockwasher , bracket attaching	1
21	RA045103D	Hose Assembly , cooler to bypass adapter	1
22	R017073	Bolt , oil bypass adapter	1
23	R047203	O-ring , small	1
24	R079051	Adapter , oil bypass adapter	1
25	R047202	O-ring , large	1
26	R009089	Bolt , oil adapter	2
27	RA079028	Adapter , oil	1
28	R024223	Adapter , CAN BUS oil pressure sensor	1
29	R020048	Sensor , CAN BUS oil pressure	1
30	R143175	Decal , "Caution Hot"	1

FUEL CONTROL CELL (FCC) COMPONENTS ('02-'04) - FIGURE 11

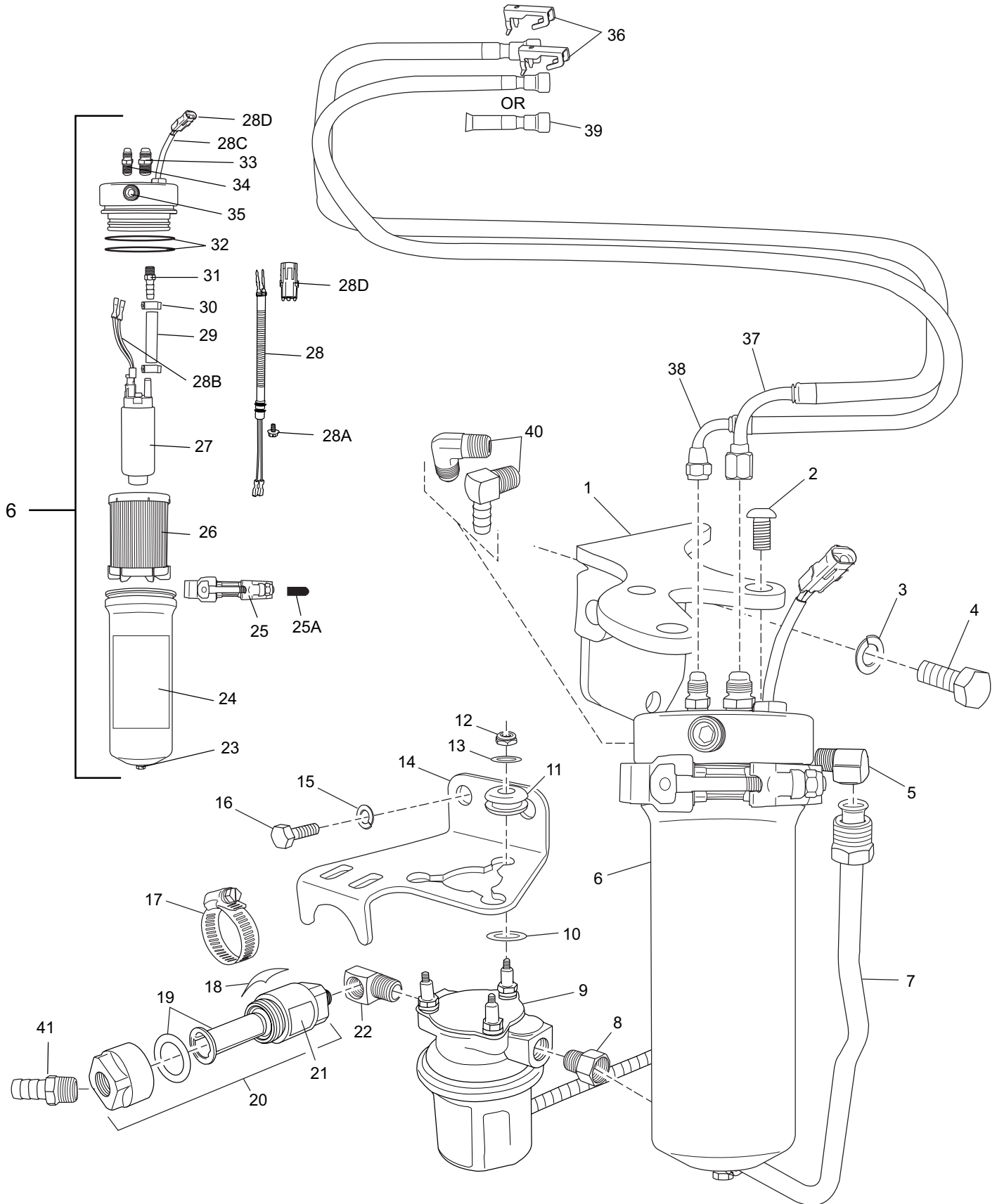


PC57B018CR

FUEL CONTROL CELL (FCC) COMPONENTS ('02-'04) - FIGURE 11

ITEM	PART NUMBER	DESCRIPTION	QUANTITY
1	RA085090A	Hose Assembly , FCC to fuel rail (inlet)	1
2	RA085091A	Hose Assembly , fuel rail to FCC (return)	1
3	R024197	Fitting , 45 degree	1
4	RA085071	Hose Assembly , filter to low-pressure pump	1
5	TBD	Locking Nut , fuel filter	1
6	RS2675	Washer , fuel filter	1
7	RA077013	Filter Assembly , fuel	1
NI	R077013	Filter Screen , 115 micron	1
8	R024196	Fitting , fuel inlet	1
9	RS1529	Nut , fuel filter mounting	1
10	RS2181	Washer , fuel filter mounting	1
11	R090239	Bracket , fuel filter mounting	1
12	R024197	Fitting , 45 degree	1
13	R090223	Bracket , low-pressure fuel pump mounting	1
14	RS2180	Lockwasher , bracket mounting	3
15	RS0305	Bolt , bracket mounting	3
16	RA080018	Fuel Pump , low-pressure	1
17	RS1521L	Locking Nut , low-pressure fuel pump	3
18	R096142	Washer , fuel pump mounting	3
19	R094035A	Grommet , mounting bracket	3
20	R096141	Washer , fuel pump mounting	3
21	R024017	Fitting , 90 degree	1
22	RA085096	Hose Assembly , low-pressure pump to FCC	1
23	RA080025	Fuel Control Cell Assembly	1
24	R024017	Fitting , 90 degree	1
25	R024076	Fitting , 90 degree	1
26	RS0304	Bolt , FCC mounting bracket	3
27	RS2180	Lockwasher , FCC mounting bracket	3
28	R090179B	Bracket , FCC mounting	1
29	RS2180	Lockwasher , FCC mounting	3
30	RS0302	Bolt , FCC mounting	3
31	RP080026	Fuel Filter & O-Ring , FCC assembly	1
32	R047214	O'Ring , FCC seal	1
33	RA080025A	Fuel Pump , high pressure	1
34	R127087	Clamp , Oeticker	2
35	R045098	Hose , 5/16 I.D. - 1/2 O.D.	1
36	R024175	Fitting , fuel line	1
37	R024163A	Fitting , fuel line	1
38	R035031	Fitting , fuel pressure, Schrader valve	1
39	R127100	Retainer , fuel line	2
NI	R034041	Cap , Schrader valve	1

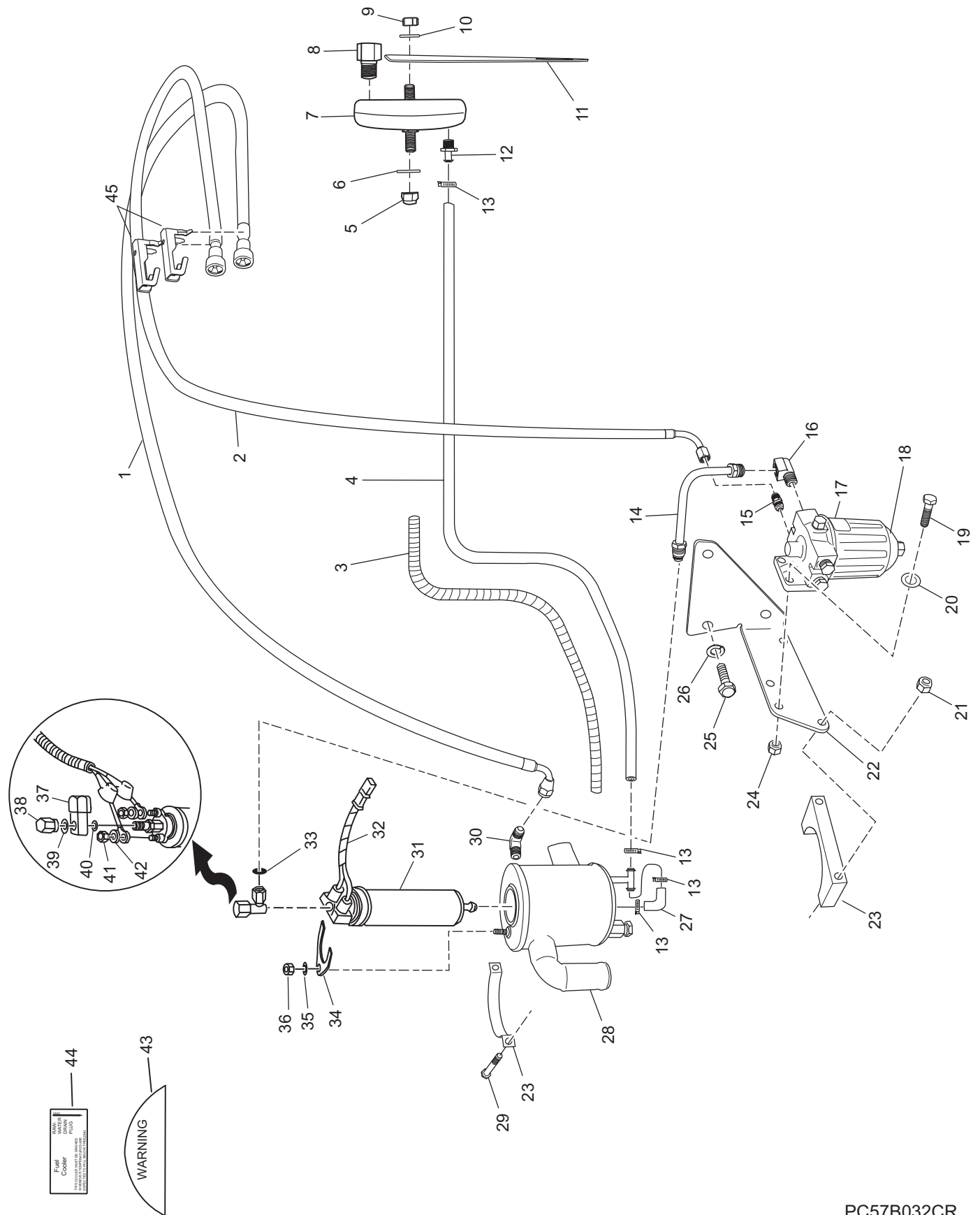
FUEL CONTROL CELL (FCC) COMPONENTS ('05) - FIGURE 12



FUEL CONTROL CELL (FCC) COMPONENTS ('05) - FIGURE 12

ITEM	PART NUMBER	DESCRIPTION	QUANTITY
1	R090179	Bracket , FCC mounting	1
2	90384075	Bolt , FCC mounting	3
3	RS2180	Lockwasher , FCC mounting bracket	2
4	RS0304	Bolt , FCC mounting bracket	2
5	R024017	Fitting , 90 degree	1
6	RA080031	Fuel Control Cell Assembly	1
7	RA085096A	Fuel Line , low-pressure pump to FCC	1
8	R024146	Adapter , fuel line fitting	1
9	RA080018	Fuel Pump , low-pressure	1
10	R096141	Washer , fuel pump mounting	3
11	R094035A	Grommet , mounting bracket	3
12	RS1521L	Locking Nut , low-pressure fuel pump	3
13	R096142	Washer , fuel pump mounting	3
14	R090308	Bracket , low-pressure fuel pump mounting	1
15	RS2180	Lockwasher , bracket mounting	2
16	RS0302	Bolt , bracket mounting	2
17	RS3858	Clamp , prefilter retaining	1
18	R094040	Adhesive , rubber strip	1
19	RP077014	Gasket/Filter Kit , prefilter	1
20	RA077014	Prefilter Assembly	1
21	R143174	Decal , prefilter	1
22	R024192	Fitting , 90 degree	1
23	RS3554	Plug , FCC drain	1
24	R143112A	Decal , FCC	1
25	R171010	Clamp , FCC bowl-to-head retaining	1
25A	R128002	Cover , FCC clamp T-bolt	1
26	R080026	Filter , FCC	1
27	RA080025A	Pump , FCC high pressure fuel	1
28	R121085B	Harness , 1 piece, FCC high pressure fuel pump (1-piece harness does not retrofit for 2-piece)	1
28A	91620025	Screw , self-tapping, 1 piece harness retaining	1
28B	RA121061	Harness , 2 piece, FCC high pressure fuel pump	1
28C	RA121060	Harness , 2 piece, FCC high pressure fuel pump	1
28D	7172040	Connector , W/P 2-Way Female	1
29	R045098B	Hose , FCC internal fuel	1
30	R127087	Clamp , Oeticker	2
31	R024219	Fitting , FCC internal	1
32	R047241	O'Ring , FCC bowl-to-head seal	2
33	R024175	Fitting , FCC head (fuel supply line)	1
34	R024163A	Fitting , FCC head (fuel return line)	1
36	R127100	Retainer , fuel line	2
37	RA085090A	Hose Assembly , FCC to fuel rail (inlet)	1
38	RA085091A	Hose Assembly , fuel rail to FCC (return)	AR
39	RK085011	Blockoff , fuel line, fuel rail rtn to FCC	AR
40	R024225	Fitting , return line 90 degree barb	AR
40	R024224	Fitting , return line 90 degree SAE	AR
41	R024218	Fitting , fuel inlet, 3/8 NPT X 1/2 hose barb	1

OLD RETURNLESS FUEL SYSTEM COMPONENTS- FIGURE 13 (thru S/N 630209)

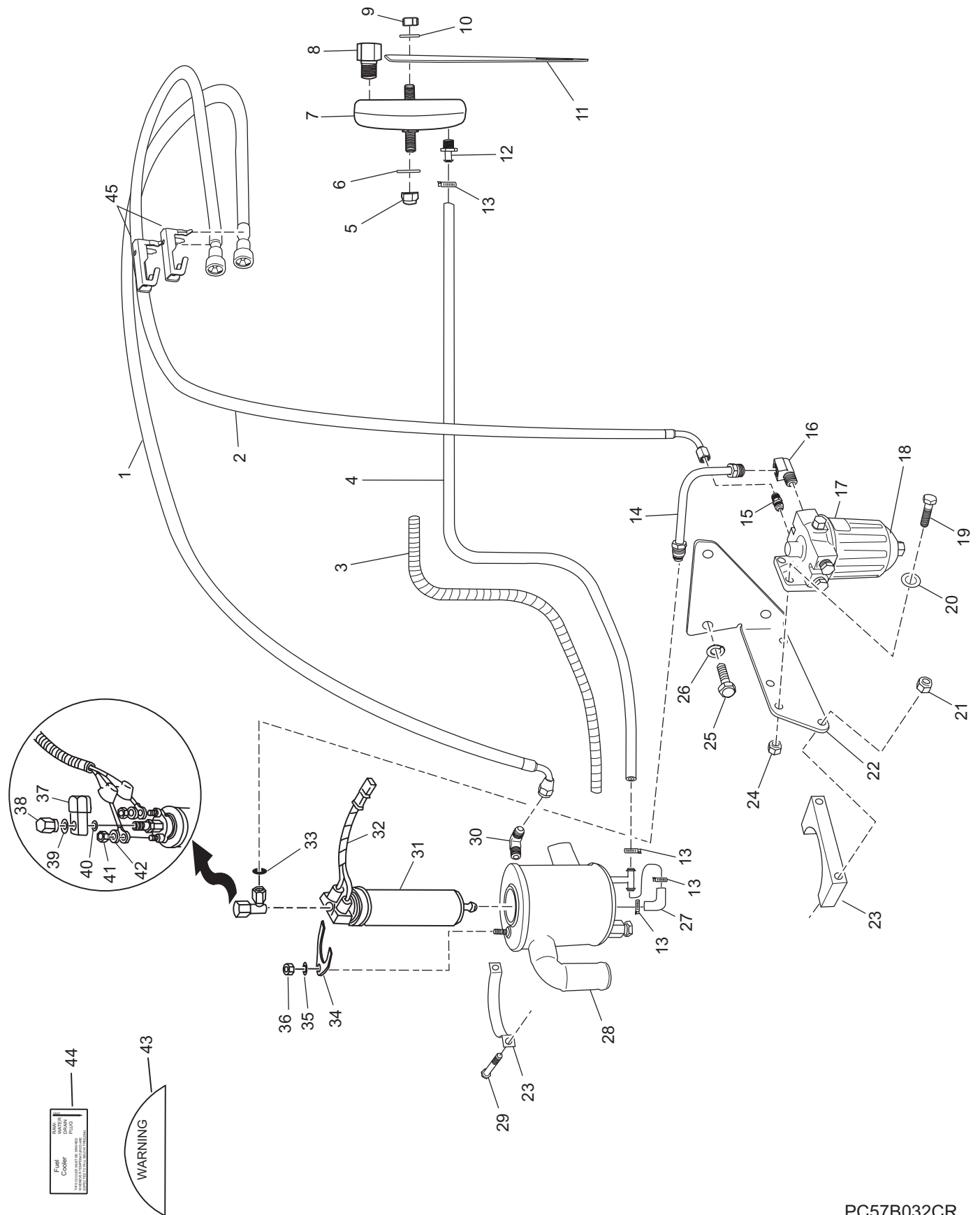


PC57B032CR

OLD RETURNLESS FUEL SYSTEM COMPONENTS- FIGURE 13 (thru S/N 630209)

ITEM	PART NUMBER	DESCRIPTION	QUANTITY
1	RA085091A	Fuel Line Assembly , fuel rail to fuel cooler	1
2	RA085090A	Fuel Line Assembly , filter to fuel rail	1
3	47064	Conduit , protective	1
4	98431	Fuel Line Assembly , filter to fuel pump	1
5	TBD	Locking Nut , fuel filter	1
6	RS2675	Washer , fuel filter	1
7	RA077013	Filter Assembly , fuel	1
NI	R077013	Filter Screen , 115 micron	1
8	R024196	Fitting , fuel inlet	1
9	RS1529	Nut , fuel filter mounting	1
10	RS2181	Washer , fuel filter mounting	1
11	R090239	Bracket , fuel filter mounting	1
12	R024218	Fitting , fuel outlet	1
13	RS3864	Clamp , fuel line	4
14	RA085097	Fuel Line Assembly , fuel pump to filter	1
15	R024163A	Fitting , straight adapter	1
16	R024017	Fitting , 90 degree	1
17	47046	Fuel Filter , racor water separating	1
18	47047	Element , racor fuel filter (not shown)	1
19	RS0282	Bolt , filter mounting	2
20	92200000	Washer , mounting bolt	2
21	95310300	Locking Nut , fuel cooler mounting	2
22	R090256	Bracket , fuel cooler/filter mounting	1
23	23554	Retainer , fuel cooler rubber	1
24	RS2060	Nut , mounting bolt	2
25	RS0302	Bolt , fuel cooler/filter bracket mounting	3
26	RS2180	Lockwasher , mounting bolt	3
27	49041	Fuel Line Assembly , 90 degree elbow	1
28	RA147045	Fuel Cooler Assembly	1
29	90318325	Bolt , fuel cooler mounting	2
30	R024163	Fitting , 90 degree	1
31	47039	Electric Fuel Pump Assembly	1
32	49038	Wire Harness , fuel pump to engine harness	1
33	22800	O-Ring , fuel line assembly	2
34	98642	Retainer , fuel pump	1
35	NSS	Starwasher , retaining nut	1

OLD RETURNLESS FUEL SYSTEM COMPONENTS- FIGURE 13 (cont'd) (thru S/N 630209)

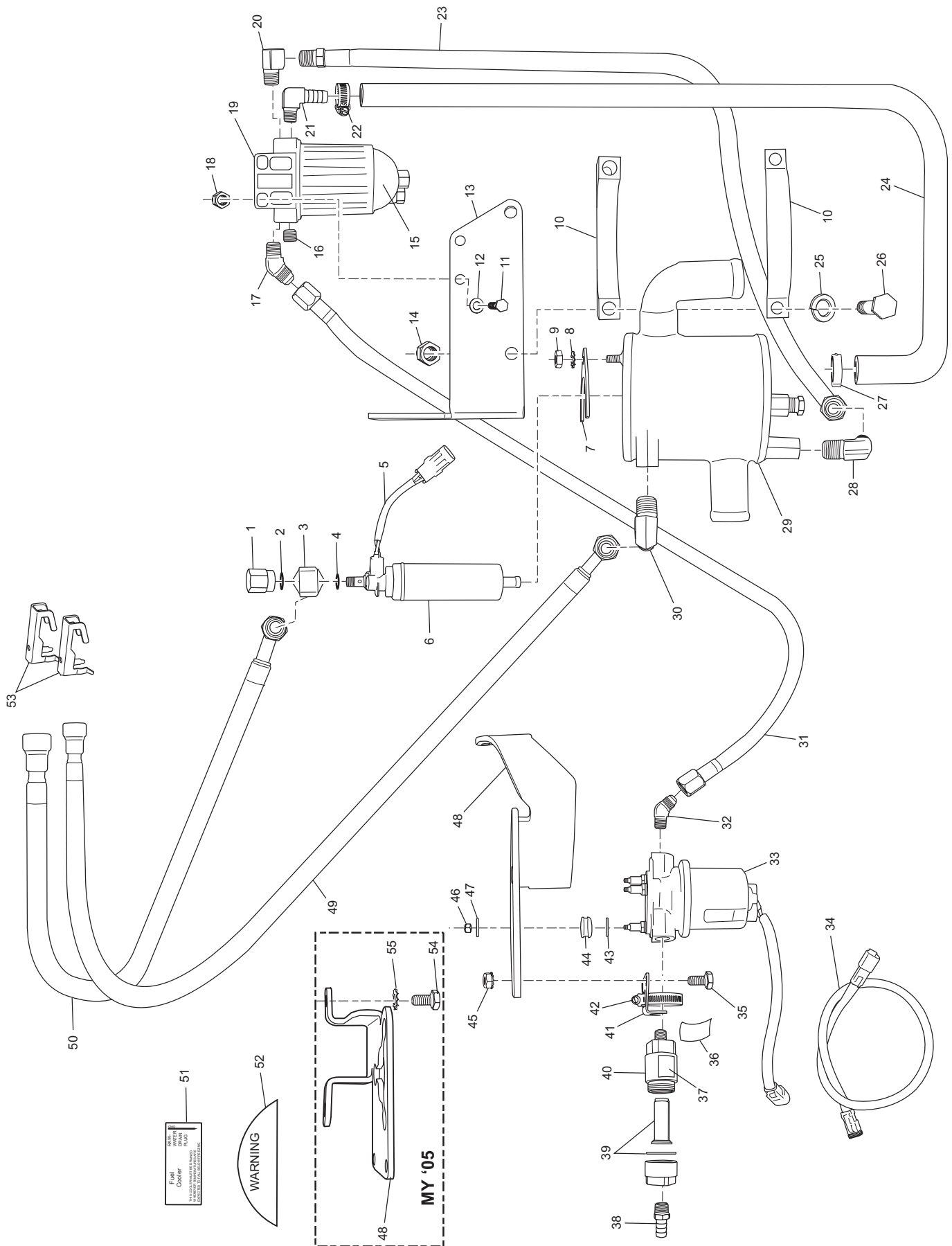


PC57B032CR

OLD RETURNLESS FUEL SYSTEM COMPONENTS- FIGURE 13 (cont'd) (thru S/N 630209)

ITEM	PART NUMBER	DESCRIPTION	QUANTITY
36	RS1078	Nut , w/lockwasher fuel pump retainer attaching (RS1078 replaces items 35 and 36)	1
37	98440	Fitting , fuel line to fuel pump	1
38	98442	Nut , fitting to fuel pump	1
39	23515	O-Ring , fuel pump sealing (small)	1
40	23516	O-Ring , fuel pump sealing (large)	1
41	NSS	Nut , wire retaining	2
42	NSS	Lockwasher , retaining nut	2
43	23649	Decal , fuel system warning	1
44	23654	Decal , fuel cooler system warning	1
45	R127100	Retainer , fuel line	2

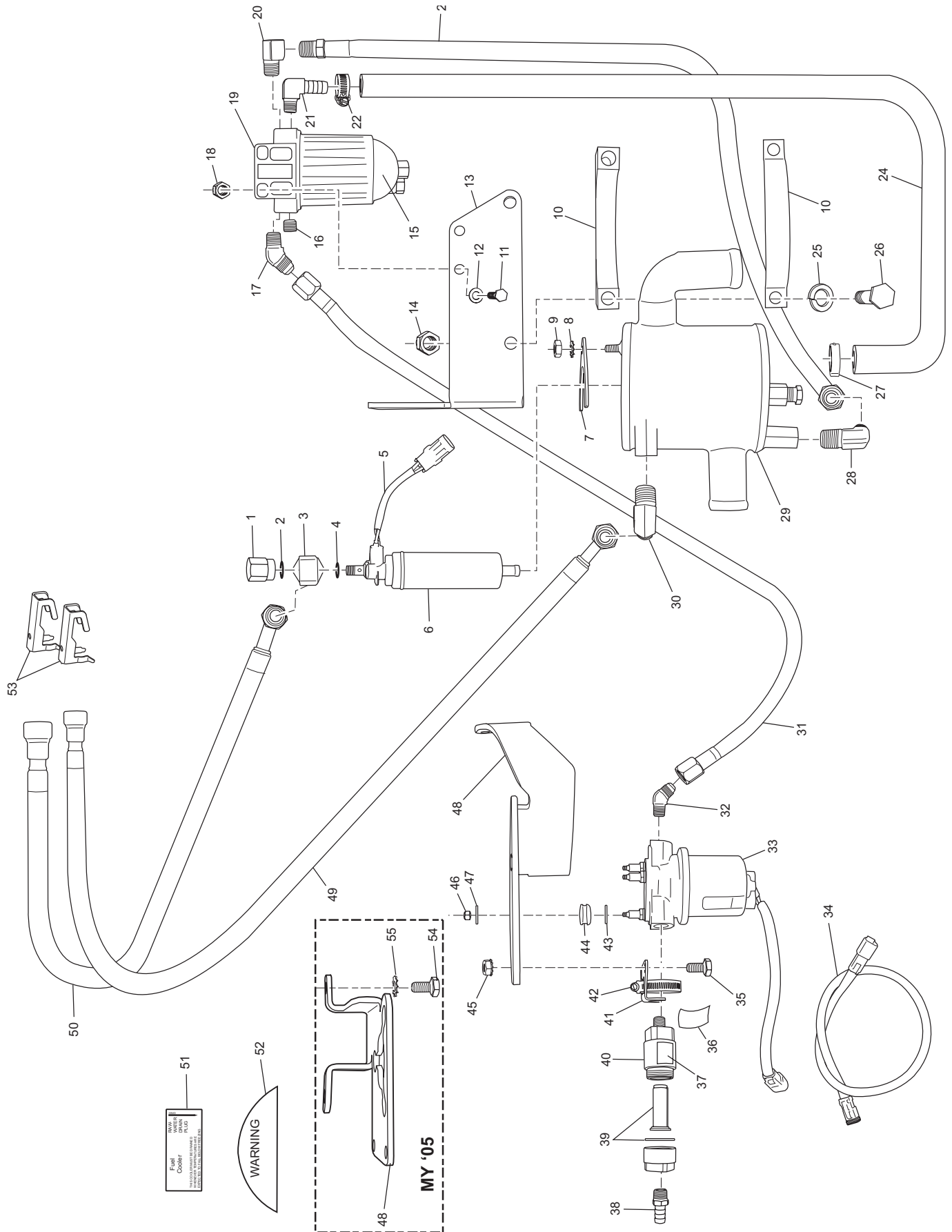
NEW RETURNLESS FUEL SYSTEM COMPONENTS- FIGURE 14 (S/N 630210 thru present)



NEW RETURNLESS FUEL SYSTEM COMPONENTS- FIGURE 14 (S/N 630210 thru present)

ITEM	PART NUMBER	DESCRIPTION	QUANTITY
1	98442	Nut , fitting to fuel pump	1
2	23516	O-ring , fuel fitting sealing	1
3	98440	Fitting , fuel line to fuel pump	1
4	23515	O-ring , fuel fitting sealing	1
5	49038	Harness , fuel pump	1
6	47039	Electric Fuel Pump Assembly	1
7	98642	Retainer , fuel pump	1
8	NSS	Starwasher , retaining nut	1
9	RS1078	Nut , w/lockwasher fuel pump retainer attaching (RS1078 replaces items 8 and 9)	1
10	23554	Retainer , fuel cooler mounting	1
11	RS0282	Bolt , racor filter mounting	2
12	92200000	Flatwasher , racor filter mounting	2
13	R090256	Bracket , fuel cooler/racor filter	1
14	95310300	Nut attaching	2
15	47047	Element , racor fuel filter (not shown)	1
16	RS3550	Fitting , blockoff	1
17	R024197	Fitting , 45 degree	1
18	RS2060	Nut , racor filter locking	2
19	47046	Fuel Filter , racor water separating	1
20	R024192	Fitting , 90 degree	1
21	R024207	Fitting , 90 degree	1
22	RS3864	Clamp ,	1
23	RA085070	Fuel Line Assembly , fuel cooler to racor filter	1
24	98431	Fuel Line Assembly , racor filter to high pressure fuel pump	1
NS	47064	Loom , (not shown)	1
25	RS2180	Lockwasher , fuel cooler mounting	2
26	90318325	Bolt , fuel cooler mounting	2
27	R127087E	Clamp , crimp	1
28	R024163	Fitting , 90 degree	1
29	RA147045A	Fuel Cooler Assembly	1
29	RA147045B	Fuel Cooler Assembly ('05)	1
30	R024204	Fitting , 90 degree	1
31	RA085071B	Fuel Line Assembly , L.P. fuel pump to racor filter	1
32	R024197	Fitting , 45 degree	1
33	RA080018	Fuel Pump , low-pressure	1
34	R121077	Jumper Harness , low-pressure fuel pump	1

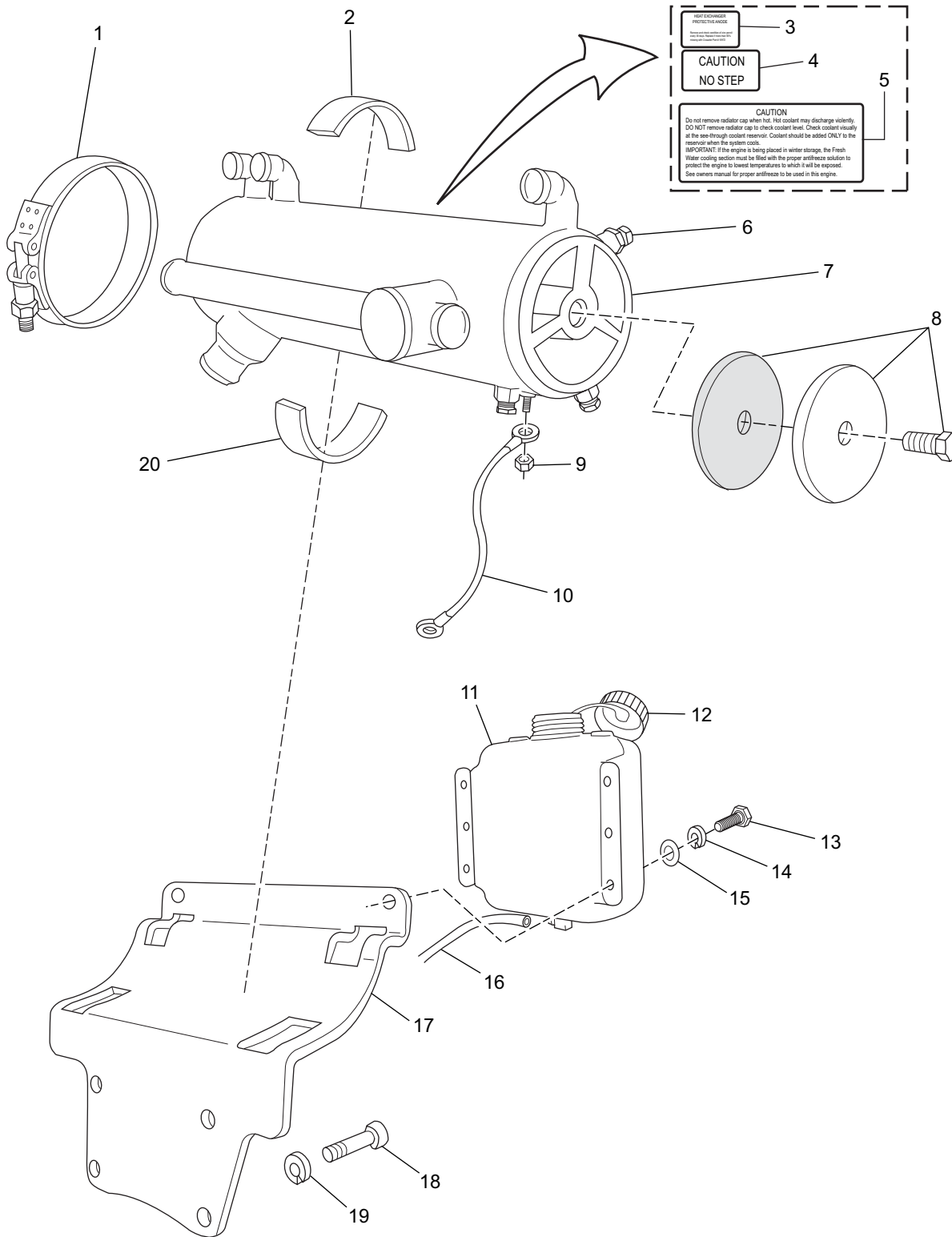
NEW RETURNLESS FUEL SYSTEM COMPONENTS - FIGURE 14 (cont'd) (S/N 630210 thru present)



NEW RETURNLESS FUEL SYSTEM COMPONENTS - FIGURE 14 (cont'd) (S/N 630210 thru present)

ITEM	PART NUMBER	DESCRIPTION	QUANTITY
35	RS0251	Bolt , Oetiker filter bracket mounting	2
36	R094040	Adhesive , rubber strip	1
37	R143174	Decal , prefilter	1
38	R024218	Fitting , fuel inlet	1
39	RP077014	Gasket/Filter Kit , prefilter	1
40	RA077014	PreFilter Assembly	1
41	R090272	Bracket , prefilter mounting	1
42	RS3858	Clamp , prefilter mounting	1
43	R096141	Flatwasher , mounting	3
44	R094035A	Grommet , rubber	3
45	RS1078	Nut , prefilter bracket mounting	2
46	RS1521L	Nut , locking	3
47	R096142	Flatwasher , mounting	3
48	R090271	Bracket , L.P. pump	1
48	R090271A	Bracket , L.P. pump ('05)	1
49	RA085091A	Fuel Line Assembly , fuel rail to fuel cooler	1
50	RA085098A	Fuel Line Assembly , fuel pump to fuel rail	1
51	23654	Decal , fuel cooler system warning	1
52	23649	Decal , fuel system warning	1
53	R127100	Retainer , fuel line	2
54	RS0256	Bolt , LPFP bracket attaching	2
55	93920000	Lockwasher , LPFP bracket attaching	2

HEAT EXCHANGER and COMPONENTS ('02-'03) - FIGURE 15

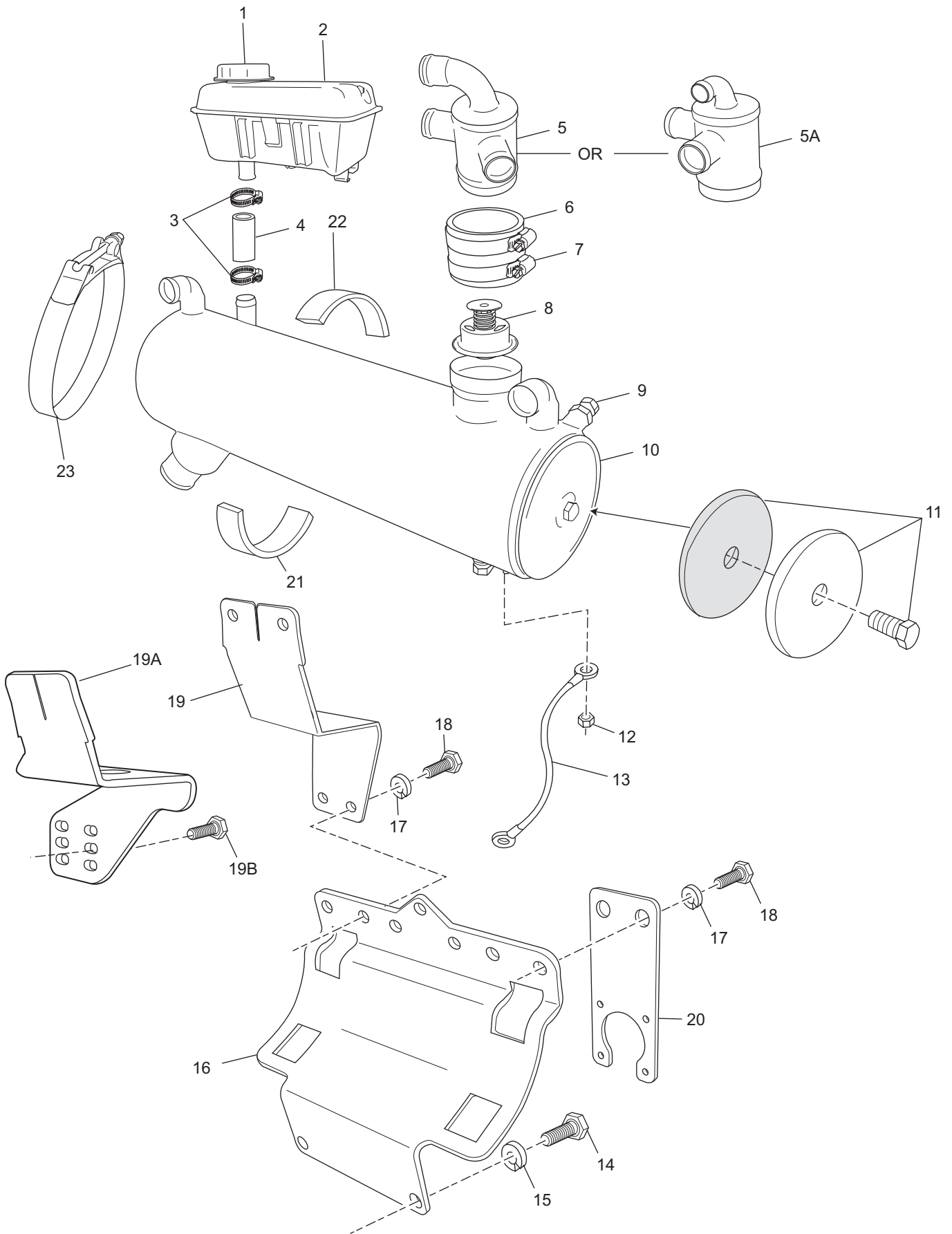


PC57B033aCR

HEAT EXCHANGER and COMPONENTS ('02-'03) - FIGURE 15

ITEM	PART NUMBER	DESCRIPTION	QUANTITY
1	R171009	Clamp , exchanger mounting	2
2	R094041	Isolator , rubber, top	2
3	23627	Decal , exchanger	1
4	22847	Decal , exchanger	1
5	23657	Decal , exchanger	1
6	R168005	Zinc , sacrificial	1
7	RA147044	Heat Exchanger Assembly	1
8	22164	End Cap Kit , exchanger	AR
9	RS1078	Nut , w/lock, ground wire stud	1
10	R101013	Wire , grounding	1
11	R146002	Bottle , coolant overflow	1
12	23527	Cap , coolant fill	1
13	RS0280	Bolt , coolant overflow mounting (3/4")	2
14	RS2179	Lockwasher , mounting bolt	2
15	92200000	Washer , mounting bolt	2
16	R045139	Tube , overflow	1
17	R090258	Bracket , heat exchanger	1
18	90368100	Bolt , heat exchanger bracket	4
19	RS2180	Lockwasher , heat exchanger bracket bolt	4
20	R094040	Isolator , rubber w/adhesive, bottom	2
NI	R143159	Decal , 5.7L Emission (C.A.R.B.), MY '03	1
NI	R143158	Decal , "Ultra Low Emission", '03-newer	1

HEAT EXCHANGER and COMPONENTS ('04-'05) - FIGURE 16

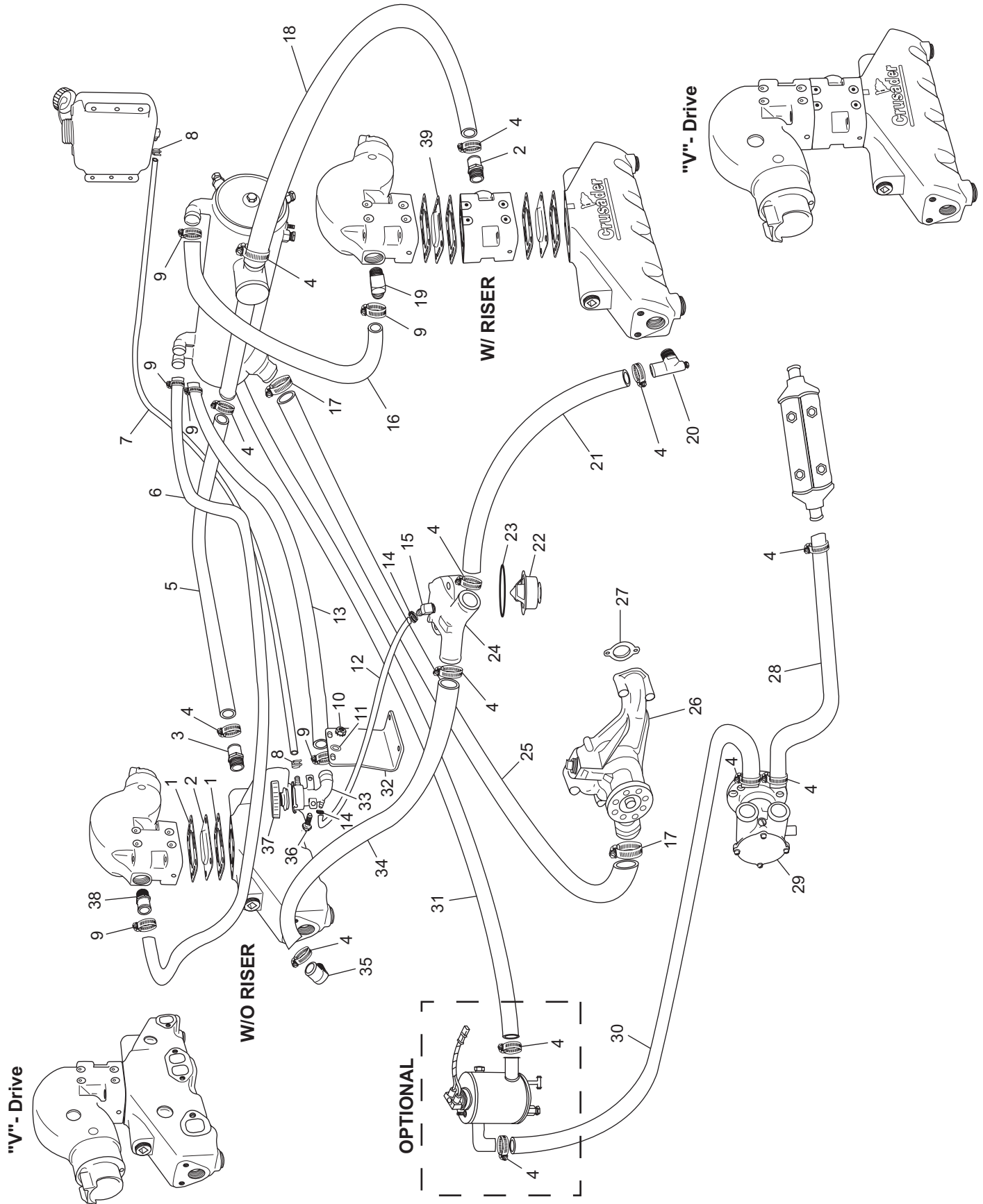


CR0005A
10-11-04

HEAT EXCHANGER and COMPONENTS ('04-'05) - FIGURE 16

ITEM	PART NUMBER	DESCRIPTION	QUANTITY
1	R034045	Cap , degas bottle	1
2	R146001	Bottle , degas	1
NI	R143169	Decal , specification, 5.0L	1
NI	R143170	Decal , specification, 5.7L	1
NI	R143153	Decal , coolant fill	1
3	RS3854	Clamp , hose	2
4	R045153	Hose , degas bottle to heat exchanger	1
4	R045164A	Hose , degas bottle to heat exchanger, V-Drive	1
5	R025038	Housing , tstat, heat exchanger ('04-present)	1
5A	R025037	Housing , tstat, heat exchanger (OEM specific)	1
6	R045162	Hose , tstat housing	1
7	RS3860	Clamp , tstat housing	2
8	R026007	Thermostat , 170° F	1
9	R168005	Anode , sacrificial zinc	AR
10	RA147048	Heat Exchanger Assembly	1
11	23540	End Cap Kit , exchanger	AR
12	RS1078	Nut , ground wire stud	1
13	R101013	Wire , grounding	1
14	RS0304	Bolt , heat exchanger bracket attaching	2
15	RS2180	Lockwasher , h.e. bracket attaching	2
16	R090258	Bracket , heat exchanger	1
17	RS2179	Lockwasher , degas bottle brkt. attaching	4
18	98333020	Bolt , degas bottle bracket attaching	4
19	R090311	Bracket , degas bottle, std.	1
19A	R090301B	Bracket , degas bottle (MY '05, OEM specific)	1
19B	R009178	Bolt , degas bottle bracket attaching (R090301B)	2
20	R090291	Bracket , 10-pin connector	1
21	R094040	Isolator , rubber w/adhesive, bottom	2
22	R094041	Isolator , rubber, top	2
23	R171009	Clamp , exchanger mounting	2
NI	23627	Decal , Protective Anode	1
NI	R143159	Decal , 5.7L Emission (C.A.R.B.) '03 MY	1
NI	R143159-04	Decal , 5.7L Emission (C.A.R.B.) '04 MY	1
NI	R143159A	Decal , 5.7L Emission (C.A.R.B.) '05 MY	1
NI	R143158	Decal , "Ultra Low Emission"	1
NI	R143156	Decal , Raw Water Drain	1
NI	R143157	Decal , Fresh Water Drain	1

FRESH WATER COOLING SYSTEM COMPONENTS ('02-'03) - FIGURE 17

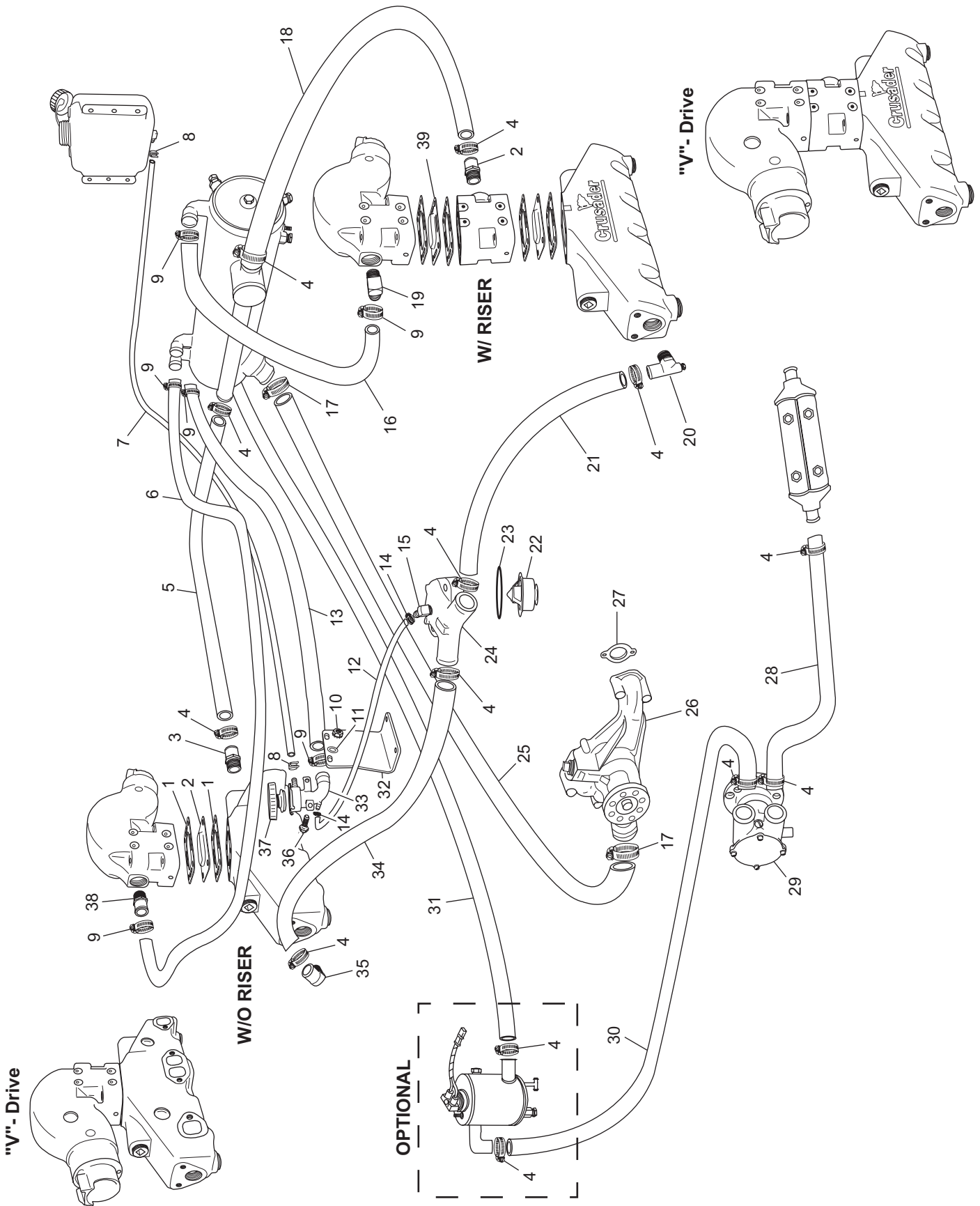


PC57B034CR

FRESH WATER COOLING SYSTEM COMPONENTS ('02-'03) - FIGURE 17

ITEM	PART NUMBER	DESCRIPTION	QUANTITY
1	98127	Gasket , elbow to riser / elbow to manifold / riser to manifold	8
2	98124	Wing Plate , blockoff	2
3	97852	Fitting , straight	2
4	RS3858	Clamp , hose (#20)	14
5	18402	Hose , manifold to heat exchanger (Starboard)	1
5	R045145	Hose , manifold to heat exchanger (Starboard)(w/ 4" risers)	AR
6	18340	Hose , heat exchanger to exhaust elbow (Starboard STD)	1
6	R045125A	Hose , heat exchanger to exhaust elbow (Starboard "V"- Drive)	AR
6	R045124A	Hose , heat exchanger to exhaust elbow (Starboard)(w/ 4" risers)	AR
7	R045139	Hose , fill riser to overflow bottle	1
8	R127084	Clamp , hose	2
9	RS3851	Clamp , hose (#16)	6
10	RS1078	Nut , fill riser attaching	2
11	92100000	Lockwasher , fill riser attaching	2
12	R045132	Hose , thermostat housing fitting to fill riser	1
13	R045124	Hose , fill riser to heat exchanger	1
14	RS3870	Clamp , hose	2
15	R024055	Fitting , thermostat housing 90 degree	1
16	R045125	Hose , heat exchanger to exhaust elbow (Port STD)	1
16	18311	Hose , heat exchanger to exhaust elbow (Port "V"- Drive)	1
17	RS3855	Clamp , hose (#32)	2
18	18402	Hose , manifold to heat exchanger (Port)	1
18	R045145	Hose , manifold to heat exchanger (Port)(w/ 4" risers)	AR
19	R024006A	Fitting , 90 degree	1
20	30624	Fitting , exhaust manifold (90 degree)	1
21	R045140	Hose , thermostat housing to exhaust manifold (Port)	1
22	R026002F	Thermostat , (160 degree)	1
23	R047189	O-Ring , thermostat	1
24	97851	Housing , thermostat	1
25	18306	Hose , circulation pump to exchanger	1
26	RA057027	Water Pump Assembly	1
27	RM0203	Gasket , water pump to engine block	2
28	R045106	Hose , oil cooler to raw water pump	1
29	RA057026	Raw Water Pump Assembly	1
30	R045102	Hose , raw water pump to fuel cooler (returnless fuel)	1

FRESH WATER COOLING SYSTEM COMPONENTS ('02-'03) - FIGURE 17 (cont'd)

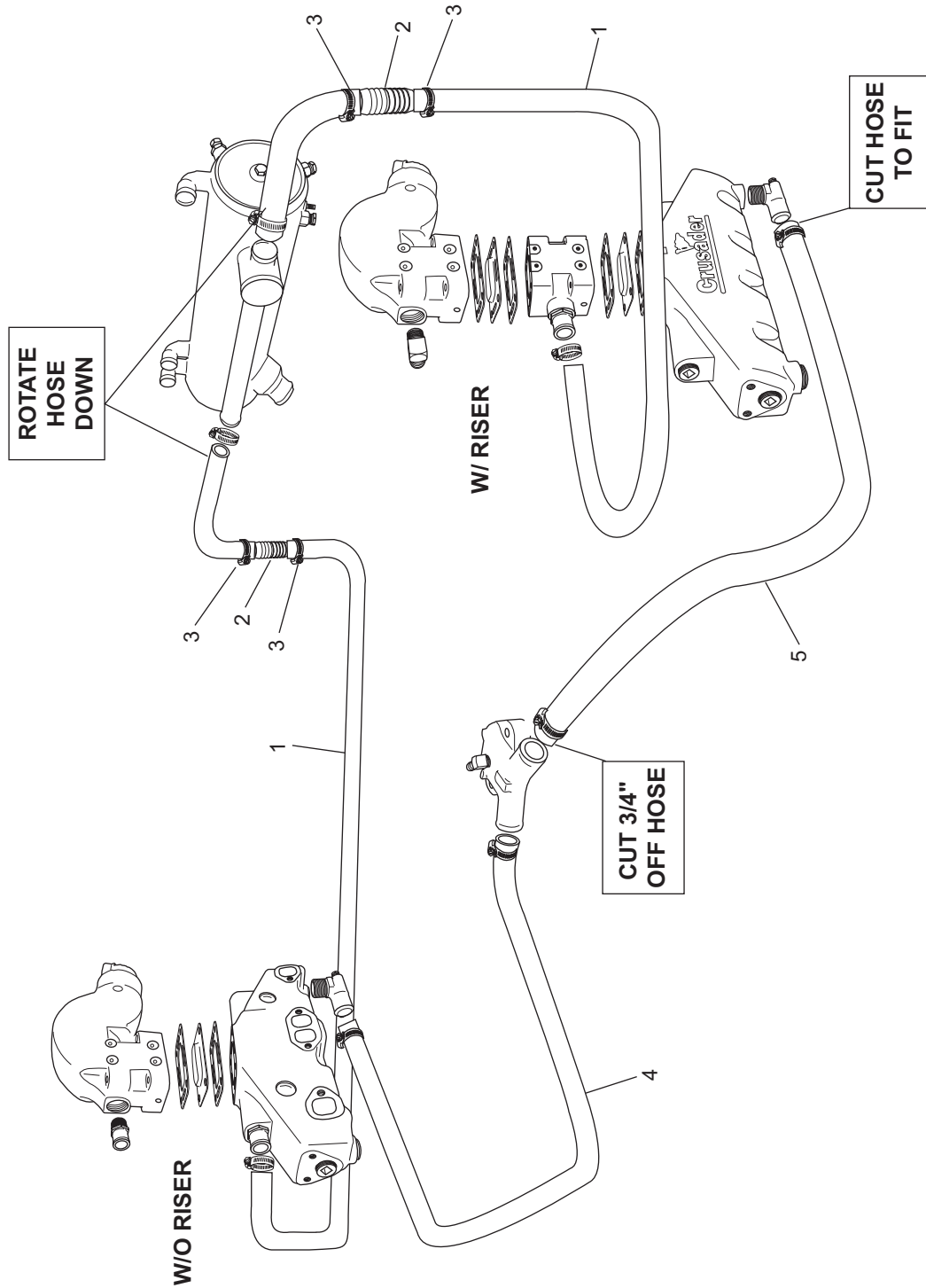


PC57B034CR

FRESH WATER COOLING SYSTEM COMPONENTS ('02-'03) - FIGURE 17 (cont'd)

ITEM	PART NUMBER	DESCRIPTION	QUANTITY
30	R045112	Hose , raw water pump to fuel cooler (returnless fuel)(RH rotation engine)	AR
31	R045102A	Hose , fuel cooler to heat exchanger (returnless fuel)	1
32	R090260	Bracket , fill riser mounting	1
33	R034047	Fill Riser Assembly	1
34	R045141	Hose , thermostat housing to exhaust manifold (Starboard)	1
35	30624	Fitting , exhaust manifold (90 degree)	1
36	90105075	Bolt , fill riser attaching	2
37	RK034006A	Cap , fill riser pressure cap (7 lb.)	1
38	97852	Fitting , straight	1
39	98124A	Wing Plate , pass-thru	2

12° FRESH WATER COOLING INSTALLATION - UNIQUE COMPONENTS ('02-'03) - FIGURE 18

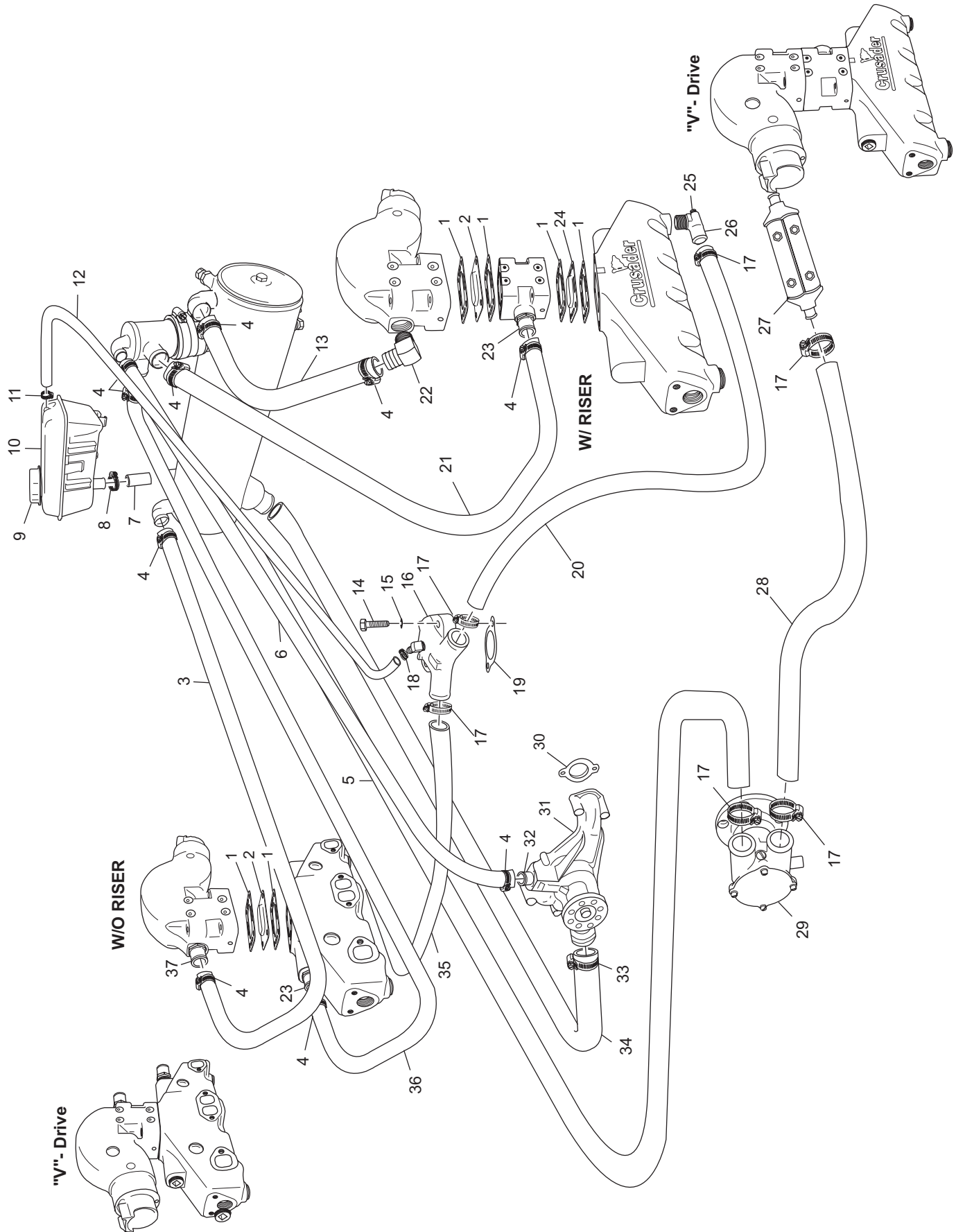


PC57B034CR12D

12° FRESH WATER COOLING INSTALLATION - UNIQUE COMPONENTS ('02-'03) - FIGURE 18

ITEM	PART NUMBER	DESCRIPTION	QUANTITY
1	18369	Hose , H.E. 18402 hose to exhaust manifold (cut-to-fit)	2
2	R024221	Fitting , 1-1/4" hose coupler	1
3	RS3858	Clamp , hose 1-1/4"	4
4	18334	Hose , thermostat housing to exhaust manifold (Starboard)	1
5	18333	Hose , thermostat housing to exhaust manifold (Port)	1

FRESH WATER COOLING SYSTEM COMPONENTS ('04) - FIGURE 19

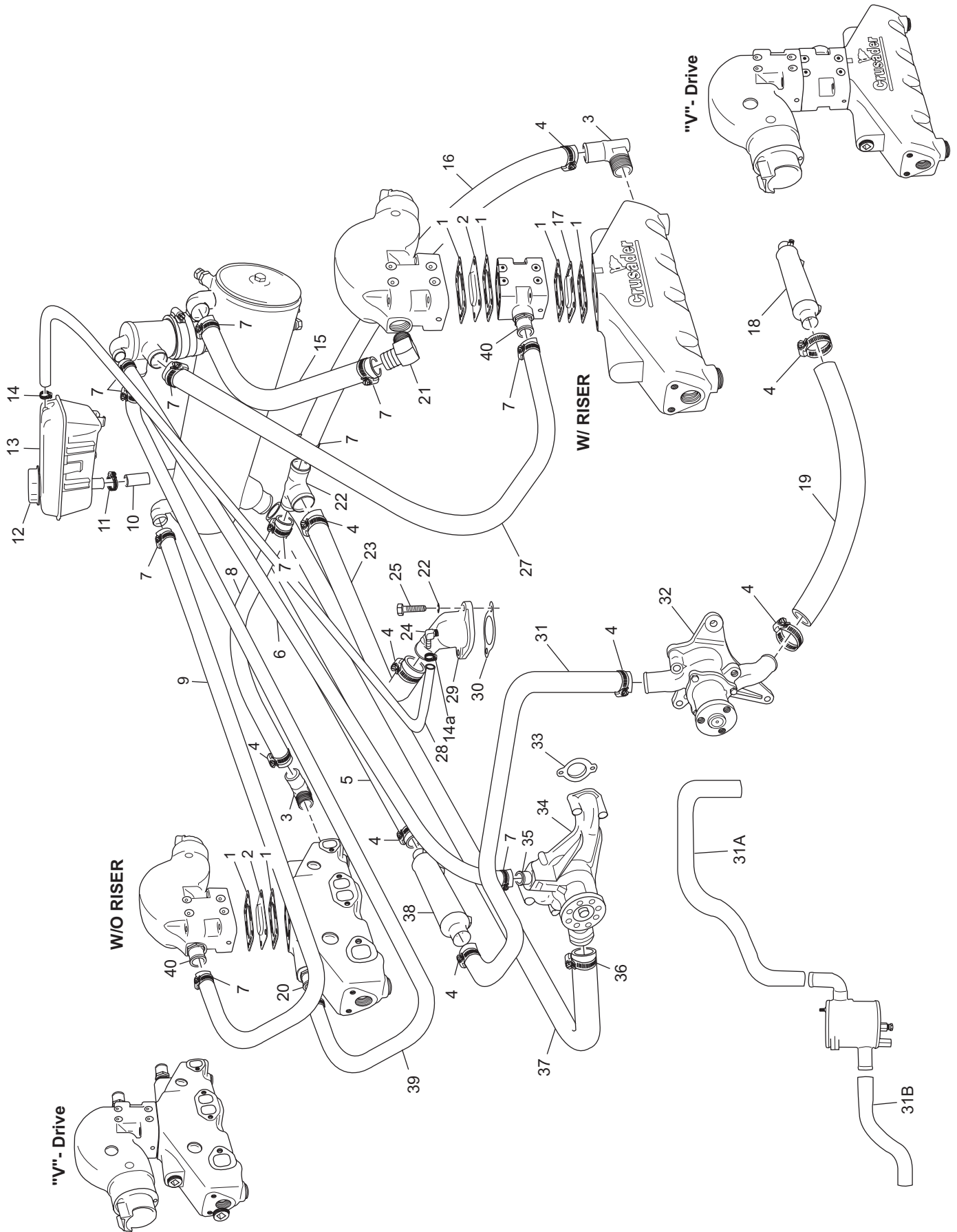


PC57B034CR_04

FRESH WATER COOLING SYSTEM COMPONENTS ('04) - FIGURE 19

ITEM	PART NUMBER	DESCRIPTION	QUANTITY
1	98127	Gasket , elbow to riser / elbow to manifold / riser to manifold	8
2	98124	Wing Plate , blockoff	2
3	18340	Hose , heat exchanger to exhaust elbow (Starboard STD)	1
3	R045124A	Hose , heat exchanger to exhaust elbow (Starboard "V"- Drive)	AR
4	RS3858	Clamp , hose (#20)	14
5	R045102A	Hose , raw water pump to heat exchanger	1
6	R045086	Hose , bypass	AR
7	R045153	Hose , degas bottle to heat exchanger	1
NI	R045164A	Hose , degas bottle to heat exchanger, (V-Drive)	1
8	R127084	Clamp , hose	2
9	R034045	Cap , degas bottle	1
10	R146001	Bottle , degas	1
11	R127087	Clamp , hose	1
12	R045132	Hose , degas bottle to water neck fitting	AR
13	R045125	Hose , heat exchanger to exhaust elbow (Port STD)	1
13	R045125A	Hose , heat exchanger to exhaust elbow (Port "V"- Drive)	1
14	RS0306	Bolt , housing attaching	2
15	RS2180	Lockwasher , housing attaching	2
16	97851	Housing , coolant distribution	1
17	RS3851	Clamp , hose (#16)	6
18	RS3870	Clamp , hose	1
19	RM0121	Gasket , housing to intake manifold	1
20	18333	Hose , water neck to exhaust manifold (Port)	1
21	R045109	Hose , manifold to thermostat housing (Port)(w/ 4" risers)	AR
NI	18402	Hose , manifold to thermostat housing (Port)	1
22	R024006A	Fitting , 90 degree	1
23	R024073	Fitting , straight	1
24	98124A	Wing Plate , pass-thru	4
25	RS3552	Plug , drain	2
26	30624	Fitting , exhaust manifold (90 degree)	2
27	R147035	Oil Cooler Assembly	1
28	R045106	Hose , oil cooler to raw water pump	1
29	RA057026	Raw Water Pump Assembly	1
30	RM0203	Gasket , water pump to engine block	2
31	RA057027	Water Pump Assembly	1
32	R024217	Fitting , 5/8" hose barb	1
33	RS3855	Clamp , hose (#32)	2
34	R045146	Hose , circulation pump to exchanger	1
35	18334	Hose , water neck to exhaust manifold (Starboard)	1
36	R045157B	Hose , manifold to thermostat housing (Starboard)	1
NI	18413	Hose , manifold to thermostat housing (Starboard)(w/ 4" risers)	AR
37	97911	Fitting , straight (3/4" pipe)	1

FRESH WATER COOLING SYSTEM COMPONENTS ('05) - FIGURE 20

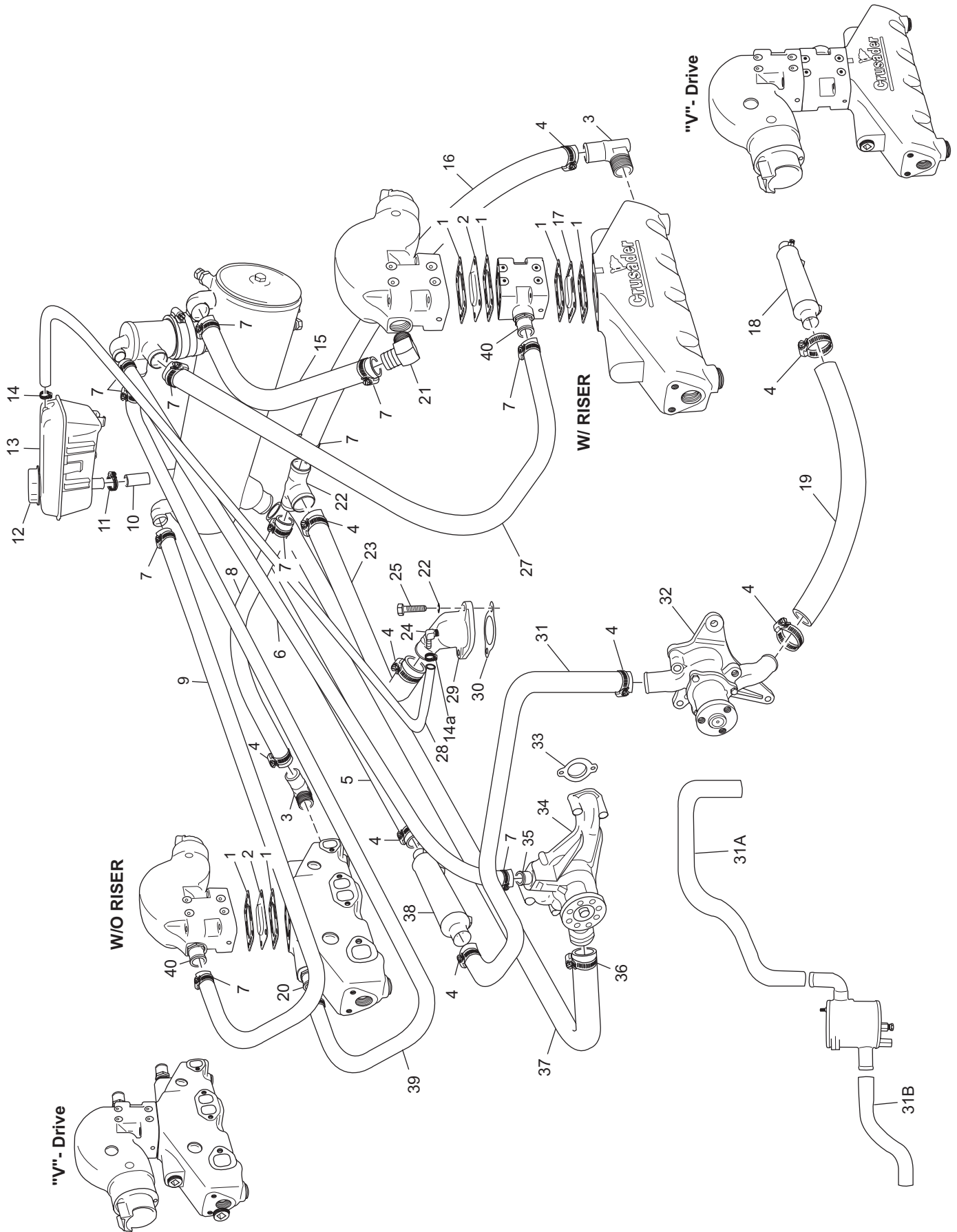


PC57B034CR_05

FRESH WATER COOLING SYSTEM COMPONENTS ('05) - FIGURE 20

ITEM	PART NUMBER	DESCRIPTION	QUANTITY
1	98127	Gasket , elbow / riser / manifold (*Quantity - 8, w/ 4" riser)	4
2	98124	Plate , block-off	2
3	30624	Fitting , exhaust manifold (90 degree) (1" NPT X 1-1/4" hose)	2
N.I.	RS3552	Plug , drain	2
4	RS3858	Clamp , hose	10
5	R045144A	Hose , transmission cooler to heat exchanger	1
5	18390	Hose , transmission cooler to heat exchanger, cut-to-fit (returnless fuel system)	1
6	20806	Hose , t-stat housing to circulating pump 5/8" i.d.	AR
7	RS3851	Clamp , hose	12
8	R045136B	Hose , coolant tee to exhaust manifold (starboard)	1
9	R045124	Hose , heat exchanger to elbow (starboard) (direct drive)	1
9	18311	Hose , heat exchanger to elbow (starboard) (v-drive)	1
10	R045153	Hose , degas bottle to heat exchanger	1
10	R045164A	Hose , degas bottle to heat exchanger (v-drive)	1
11	RS3854	Clamp , hose	2
12	R034045	Cap , degas bottle	1
13	R146001	Bottle , degas	1
14	R127087	Clamp , hose	1
14a	RS3870	Clamp , hose	1
15	R045125	Hose , heat exchanger to elbow (Port) (direct drive)	1
15	R045125A	Hose , heat exchanger to elbow (Port) (v-drive)	1
16	R045136	Hose , coolant tee to exhaust manifold (port)	1
17	98124A	Plate , vented (used w/ 4" riser)	2
18	R147049	Cooler , engine oil	1
19	R045159B	Hose , engine oil cooler to raw water pump	1
20	R024212	Fitting , straight (1" NPT X 1-1/4" hose)	3
21	R024006A	Fitting , 90 degree (3/4" NPT X 1" hose)	1
22	R024054C	Tee , coolant, 1-1/4 x 1 x 1	1
23	R045144	Hose , water neck to coolant tee	1
24	R024055	Fitting , 90 degree, water neck	1
25	RS0304	Bolt , water neck attaching	2
26	RS2180	Lockwasher , water neck attaching	2

FRESH WATER COOLING SYSTEM COMPONENTS ('05) - FIGURE 20 (cont'd)

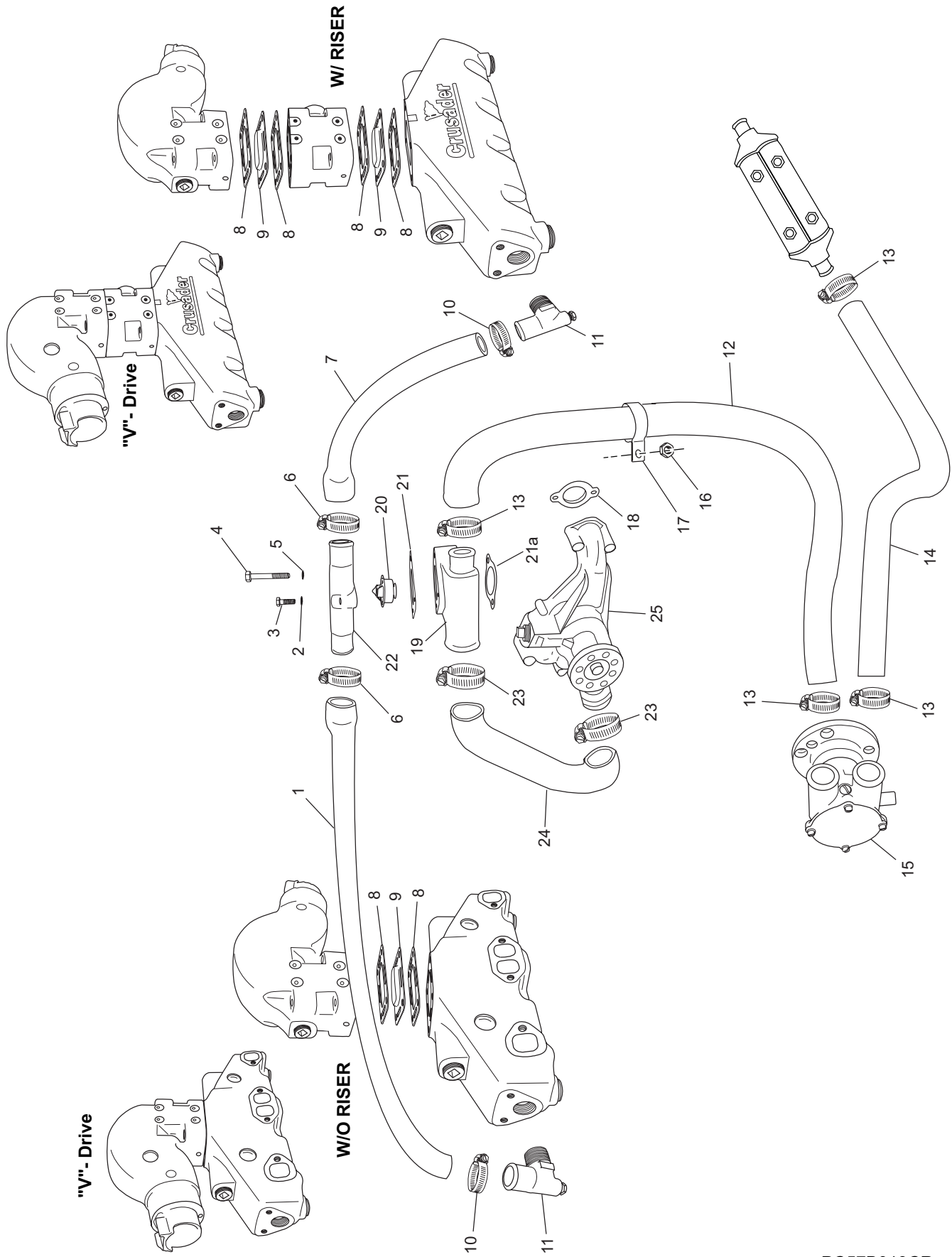


PC57B034CR_05

FRESH WATER COOLING SYSTEM COMPONENTS ('05) - FIGURE 20 (cont'd)

ITEM	PART NUMBER	DESCRIPTION	QUANTITY
27	TBD	Hose , t-stat housing to 4" riser (port)	1
N.I.	R045157A	Hose , t-stat housing to manifold w/o 4" riser (port)	1
N.I.	R045157B	Hose , t-stat housing to manifold (used w/R025037 tstat housing) (port)	1
28	R045132	Hose , degas bottle to water neck fitting	AR
29	R025015A	Water Neck	1
30	96105	Gasket , water neck	1
31	R045166	Hose , raw water pump to transmission cooler	1
31A	R045168	Hose , raw water pump to returnless fuel canister	1
31B	18390	Hose , returnless fuel canister to transmission cooler (cut-to-fit) NOTE: when cut #18390 will fit fuel cooler to trans cooler and trans cooler to heat exchanger	1
32	RA057034	Raw Water Pump	1
33	RM0203	Gasket , water pump to engine block	2
34	RA057027	Water Pump Assembly	1
35	23555	Fitting , 5/8" hose barb	2
36	RS3852	Clamp , hose (#32)	2
37	R045146	Hose , heat exchanger to circulating pump	1
38	R147006	Cooler , transmission oil	1
39	R045157	Hose , t-stat housing to manifold w/o 4" riser (starboard)	1
N.I.	TBD	Hose , t-stat housing to 4" riser (starboard)	1
40	R024073	Fitting , straight (3/4" NPT X 1" hose)	1

RAW WATER COOLING SYSTEM COMPONENTS ('02-'03) - FIGURE 21

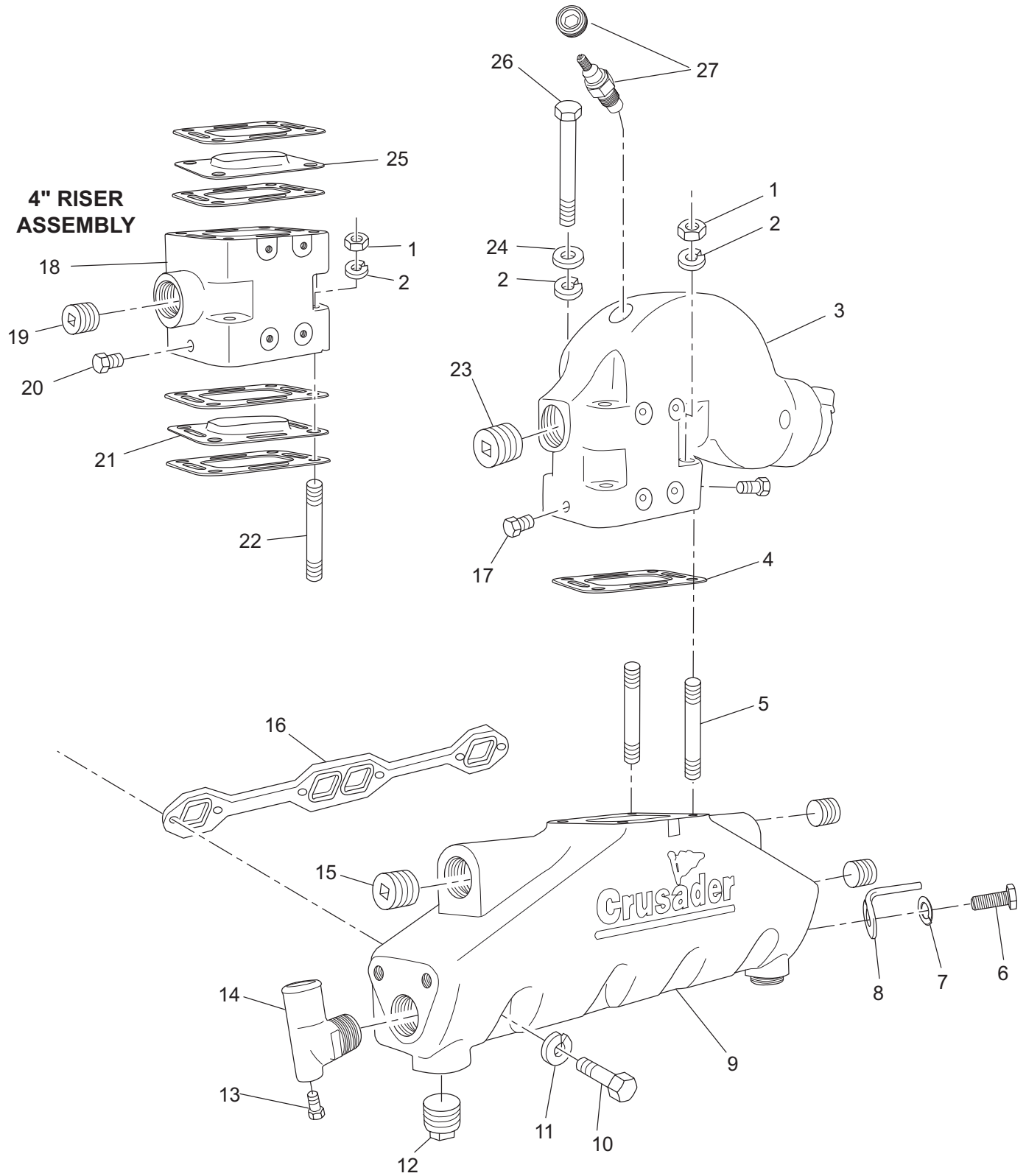


PC57B019CR

RAW WATER COOLING SYSTEM COMPONENTS ('02-'03) - FIGURE 211

ITEM	PART NUMBER	DESCRIPTION	QUANTITY
1	R045141	Hose , fill riser to exhaust manifold (starboard)	1
2	93920000	Lockwasher , attaching bolt	1
3	98223035	Bolt , upper fill riser to lower fill riser attaching	1
4	98333080	Bolt , upper fill riser to lower fill riser attaching	2
5	RS2179	Lockwasher , attaching bolt	2
6	RS3858	Clamp , hose	2
7	R045140	Hose , fill riser to exhaust manifold (port)	1
8	98127	Gasket , elbow to riser / elbow to manifold / riser to manifold	8
9	98124A	Wing Plate , pass-thru	4
10	RS3858	Clamp , hose	2
11	30624	Fitting , 90 degree	2
12	R045097	Hose , raw water pump to fill riser	1
13	RS3858	Clamp , hose	4
14	R045106	Hose , oil cooler to raw water pump	1
15	RA057026	Raw Water Pump Assembly	1
16	RS1527	Nut , strap clamp attaching	1
17	R090082	Clamp , strap	1
18	RM0203	Gasket , water pump to engine block	2
19	R025031	Thermostat Housing , lower	1
20	R026002	Thermostat , coolant (160 degree)	1
21	RM0258	Gasket , upper housing to lower tstat housing	1
21a	RM0121	Gasket , housing to intake manifold	1
22	R025032	Thermostat Housing , upper	1
23	RS3852	Clamp , hose	2
24	R045048	Hose , fill riser to water pump	1
25	RA057027	Water Pump Assembly	1

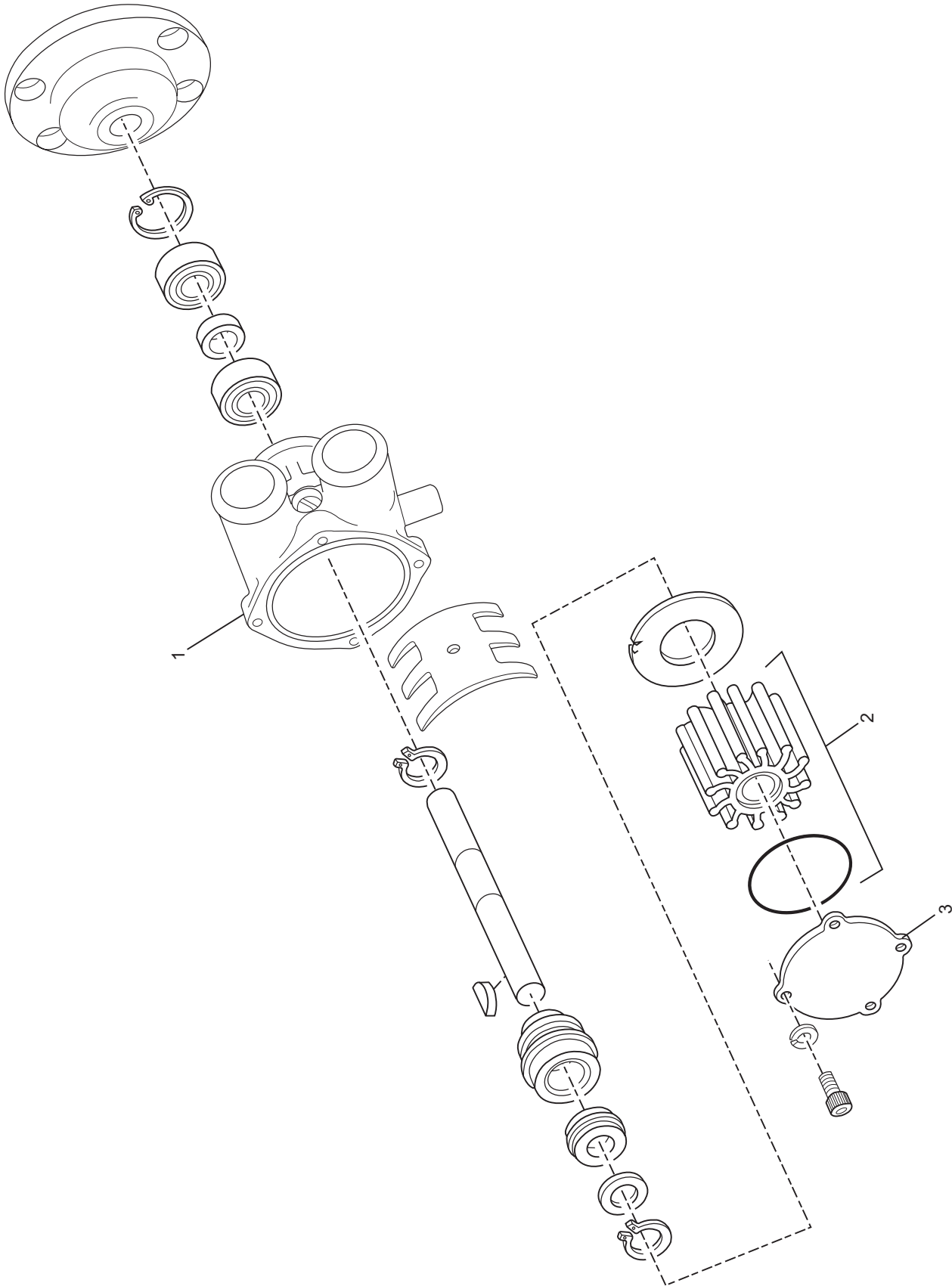
EXHAUST MANIFOLD and COMPONENTS - FIGURE 22



EXHAUST MANIFOLD and COMPONENTS - FIGURE 22

ITEM	PART NUMBER	DESCRIPTION	QUANTITY
1	RS1028	Nut , elbow attaching stud	4
2	RS2180	Lockwasher , elbow attaching stud	8
3	R029015	Elbow , exhaust manifold	2
4	98127	Gasket , manifold/elbow/riser	8
5	20827	Stud , exhaust elbow attaching	4
6	RS2180	Bolt , wire loom attaching	2
7	RS0302	Lockwasher , attaching bolt	2
8	R096144	Bracket , spark plug wire loom	2
9	98243	Manifold , exhaust	2
10	RS0316	Bolt , manifold to cylinder head	8
11	RS2180	Lockwasher , manifold to cylinder head	8
12	103876	Plug , drain	4
13	RS3552	Plug , drain	1
14	30624	Fitting , water elbow (90 degree)	1
15	103876	Plug , exhaust manifold (1")	6
16	RM0119	Gasket , manifold to cylinder head	2
17	RS3552	Plug , drain	4
*	22818	4-Inch Riser Kit	1
18	98128	Exhaust Riser	2
19	RS3556	Plug , exhaust riser (3/4")	2
20	RS3554	Plug , drain	4
21	98124A	Wing Plate , pass-thru	2
22	20783	Stud , riser mounting (2 3/4")	4
23	RS3556	Plug , exhaust elbow (3/4")	2
24	RS2674	Washer , elbow attaching	4
25	98124	Wing Plate , block-off	2
26	90305475	Bolt , exhaust elbow attaching (4 3/4")	4
27	R020047	Switch , exhaust temperature ('04 -newer)	2
27	RS3539	Plug , w/o exhaust temperature sw ('04 -newer)	2
		*NOTE: See Fresh Water Cooling section for parts used on Fresh Water Cooled engines.	

RAW WATER COOLING PUMP ('02-'04) - FIGURE 23

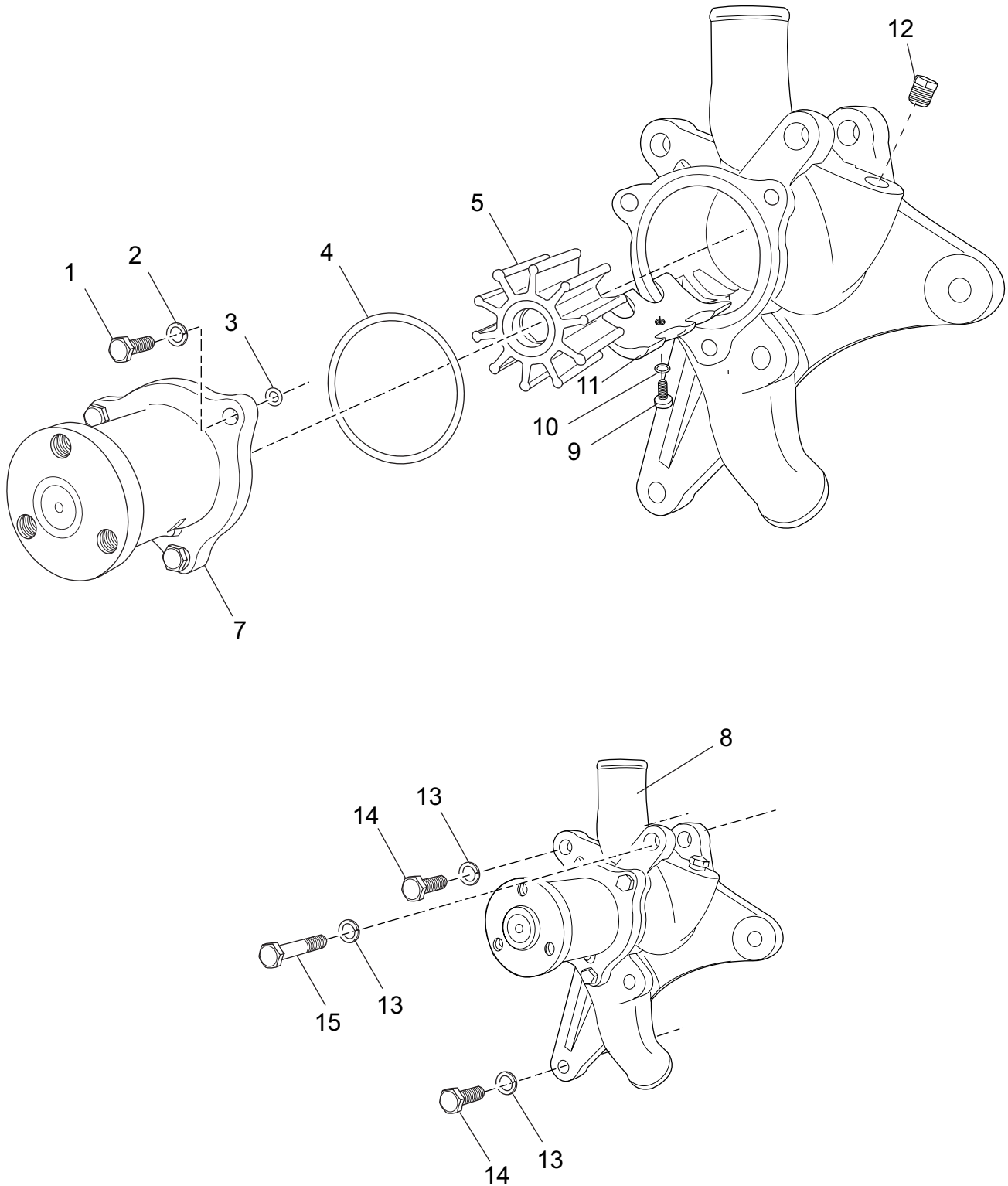


PC57B028

RAW WATER COOLING PUMP ('02-'04) - FIGURE 23

ITEM	PART NUMBER	DESCRIPTION	QUANTITY
1	RA057026	Raw Water Pump Assembly	1
2	RP061017	Kit , impeller	1
3	40060	Cover , raw water pump	1
3	R109055	Cover , raw water pump, March '05 and newer	1

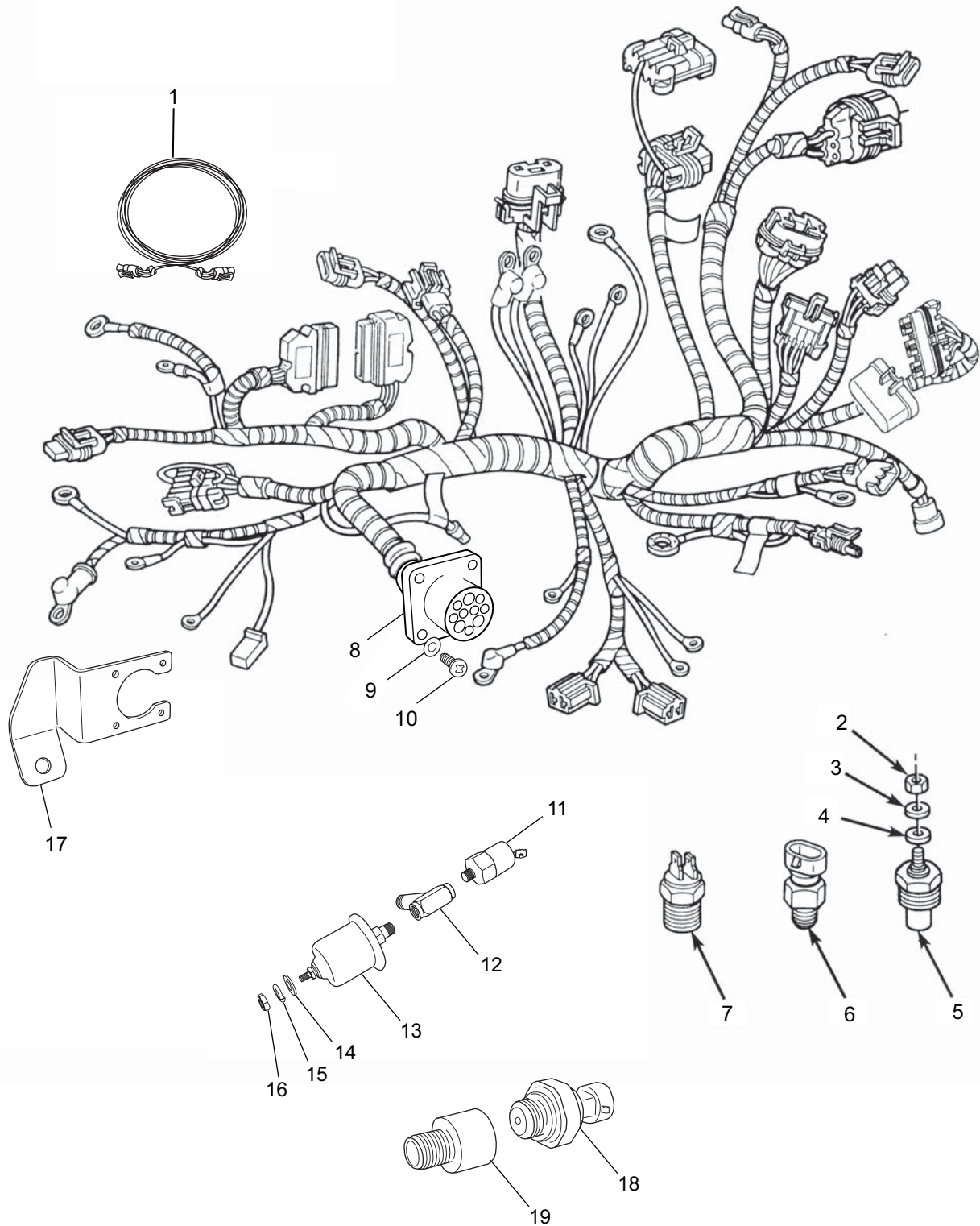
RAW WATER COOLING PUMP (SERPENTINE) ('05) - FIGURE 24



RAW WATER COOLING PUMP (SERPENTINE) ('05) - FIGURE 24

ITEM	PART NUMBER	DESCRIPTION	QUANTITY
1	TBD	Bolt , bearing housing attaching	3
2	TBD	Lockwasher , bearing housing attaching bolt	3
3	R047243	O-ring , bearing housing attaching bolt	3
4	R047242	O-ring , bearing housing attaching	1
5	RP061022	Impeller Kit (includes O-rings and impeller)	1
6	R057034	Housing , raw water pump	1
7	RA134071	Bearing Housing Assembly	1
8	RA057034	Raw Water Pump Assembly	1
9	TBD	Bolt , raw water pump cam	1
10	TBD	Lockwasher , raw water pump cam	1
11	R161018	Cam , raw water pump	1
12	RS3554	Plug , brass 1/8 NPT	1
13	RS2180	Lockwasher , raw water pump attaching	3
14	RS0306	Bolt , raw water pump attaching	2
15	RS0454	Bolt , raw water pump attaching	1

WIRING HARNESS ASSEMBLIES and SENDERS - FIGURE 25

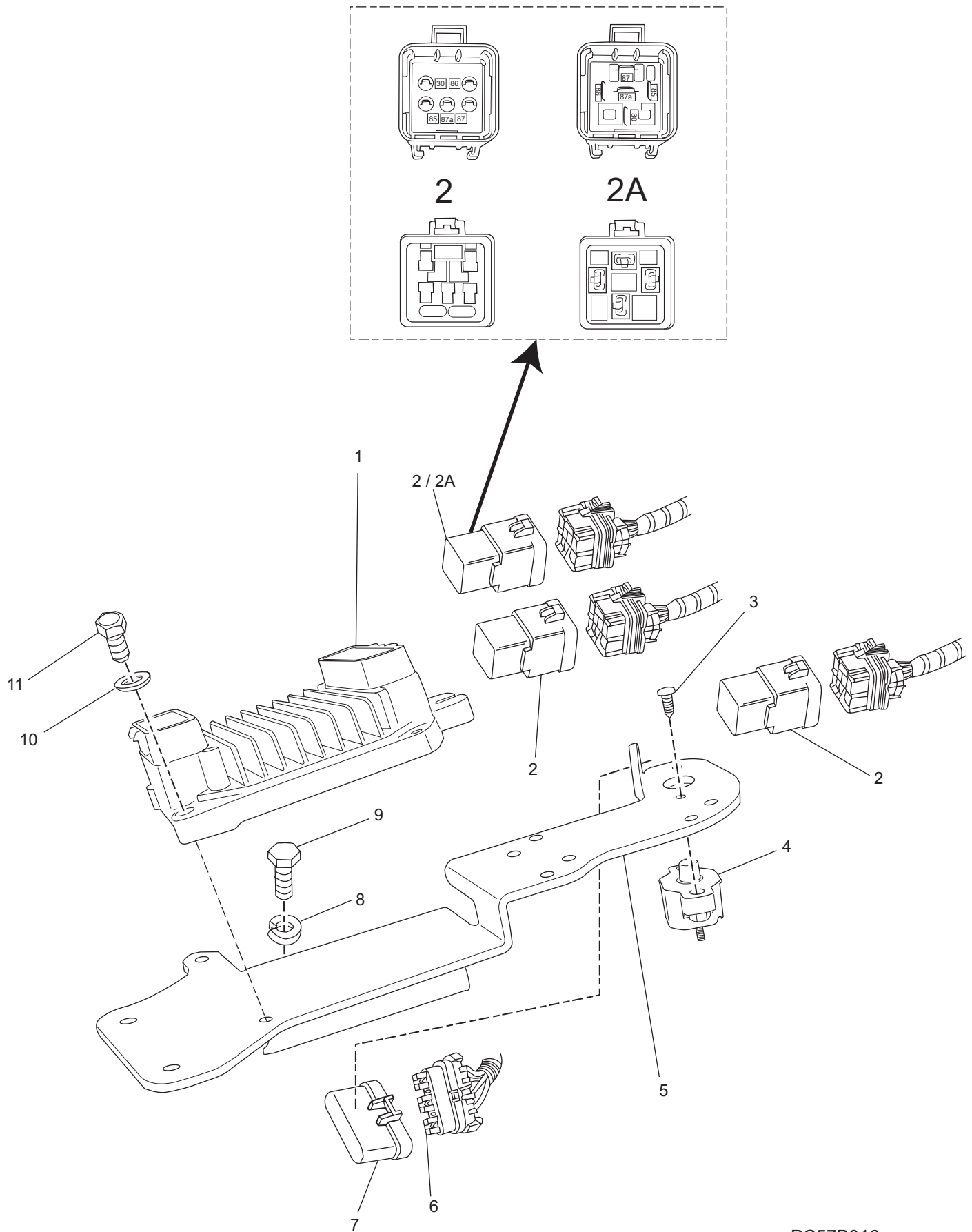


PC57B025CR

WIRING HARNESS ASSEMBLIES and SENDERS - FIGURE 25

ITEM	PART NUMBER	DESCRIPTION	QUANTITY
1	RA121072A	Harness , slave 4-pin connector (twin applications only)	AR
2	RS1540	Nut , sender terminal	1
3	RS2197	Lockwasher , sender terminal	1
4	RS2746	Washer , sender terminal	1
5	R020003	Sender , temperature	1
5	22701	Sender , temperature (VDO)	AR
6	R020019	Sensor , engine coolant temperature (ECT)	1
7	R020037	Switch , transmission alarm	1
8	RA121079	Engine Wiring Harness Assembly (With round 10-pin boat harness connection)	1
8	RA121082	Engine Wiring Harness Assembly (With 16-pin boat harness connection)	AR
9	R096142	Washer , main harness attaching	4
10	RS5115	Screw , main harness attaching	4
11	R020015A	Switch , oil pressure	1
12	R024205	Tee , sender attaching	1
13	R020001	Sender , oil pressure	1
13	22702	Sender , oil pressure (VDO)	AR
14	RS2746	Washer , sender terminal	1
15	RS2197	Lockwasher , sender terminal	1
16	RS1540	Nut , sender terminal	1
17	R090251	Bracket , main harness attaching	1
18	R020048	Sensor , CAN BUS oil pressure	AR
19	R024223	Adapter , CAN BUS oil pressure sensor	AR
NI	RA121062D	Harness , extension, fuel pump	AR

ECM and RELAYS - FIGURE 26

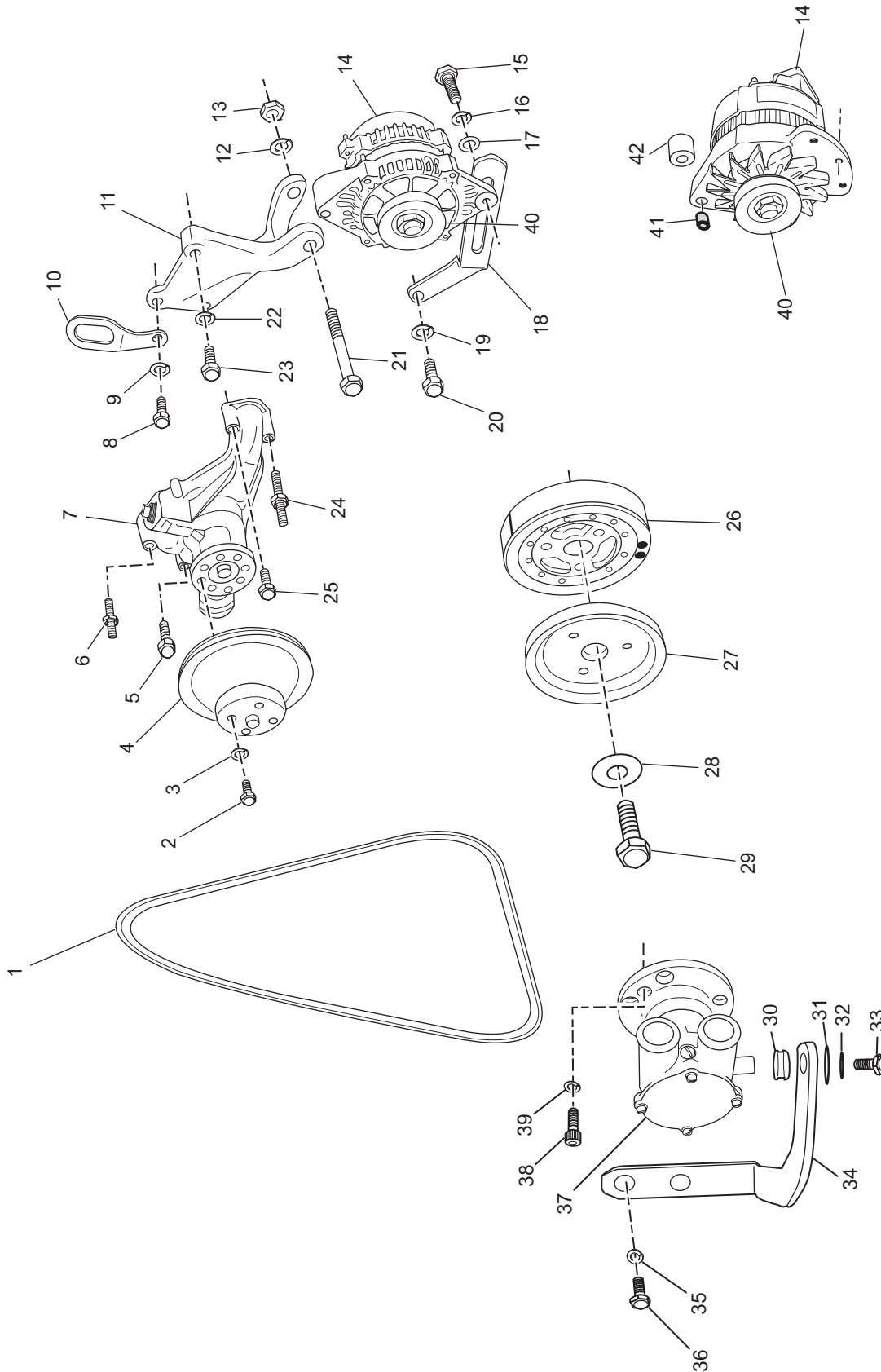


PC57B016

ECM and RELAYS - FIGURE 26

ITEM	PART NUMBER	DESCRIPTION	QUANTITY
1	R116021L cksum - 16259 (3F83)	Engine Control Module (5.0L - LH) (With 10-Pin boat harness connector)	AR
1	R116021B cksum - 33193 (81A9)	Engine Control Module (5.7L - LH) (With 10-Pin boat harness connector)	AR
1	R116021N cksum - 33641/33659	Engine Control Module (5.7L - LH) (8369/837B) (With 16-Pin boat harness connector)	AR
1	R116021E cksum - 8081 (1F91)	Engine Control Module (5.7L - RH) (With 10-Pin boat harness connector)	AR
2	R130012	Relay , fuel pump, ignition, starter	3
2A	R130011A	Relay , fuel pump, ignition, starter (Refer to diagram)	3
3	RS5084	Bolt , circuit breaker mounting	2
4	R153006C	Circuit Breaker Assembly (60 amp)	1
5	R090250	Bracket , ECM/relay mounting	1
6	R153017B	Fuses , 20 amp	3
7	R126014	Cover , fuse holder	1
8	93920000	Lockwasher , bracket attaching bolt	2
9	98223016	Bolt , bracket attaching	2
10	RS2178	Washer , ECM attaching	2
11	90105075	Bolt , ECM attaching	2

ACCESSORY DRIVE SYSTEM COMPONENTS ('02-'04) - FIGURE 27

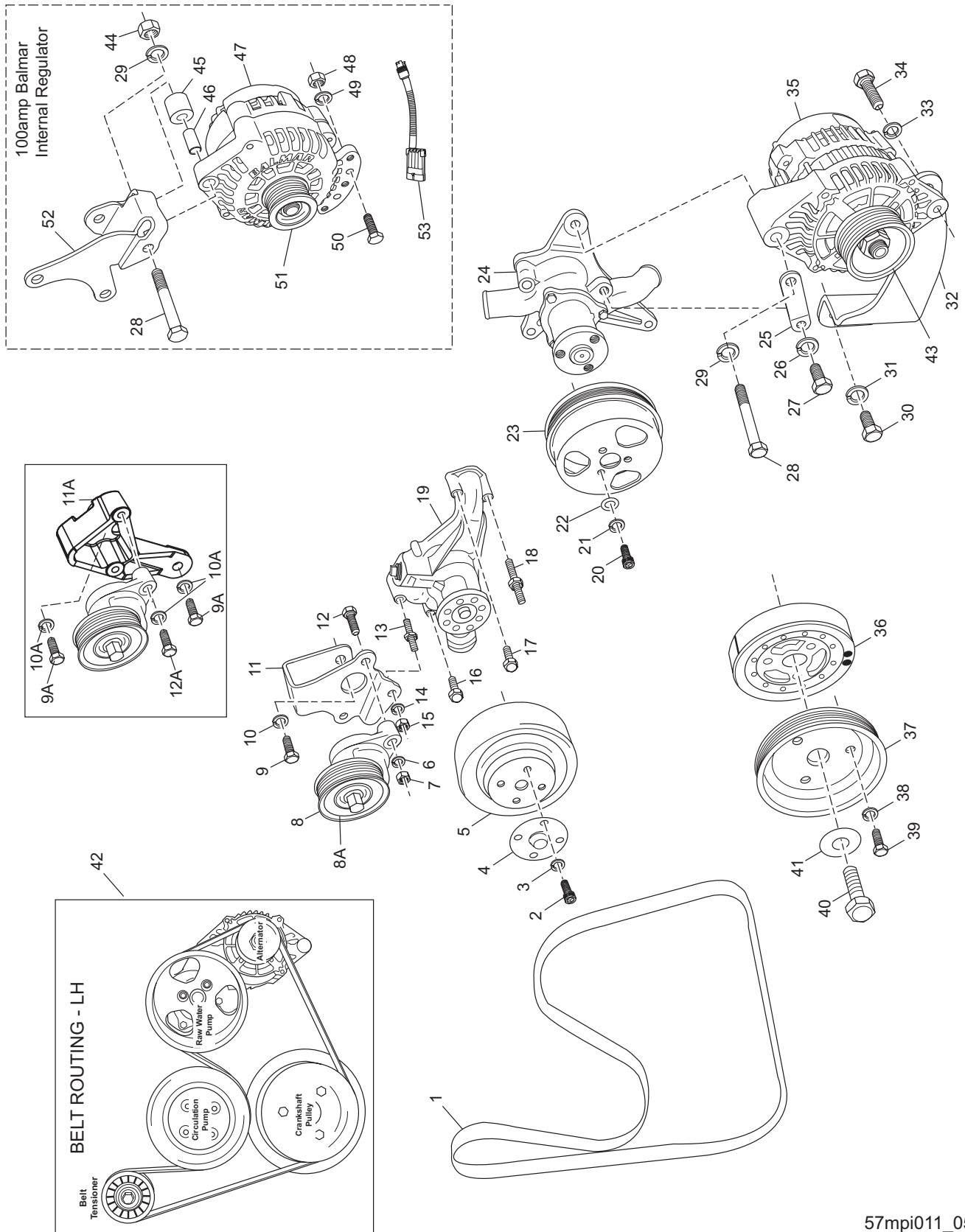


PC57B029CR

ACCESSORY DRIVE SYSTEM COMPONENTS ('02-'04) - FIGURE 27

ITEM	PART NUMBER	DESCRIPTION	QUANTITY
1	R066008	Belt , alternator drive (70 amp)	1
1	96307	Belt , alternator drive (100 amp)	1
2	RS0775	Bolt , water pump pulley attaching	4
3	RS2179	Lockwasher , water pump pulley attaching bolt	4
4	R065049	Pulley , water pump (70 Amp)	1
4	R065015	Pulley , water pump (100 Amp), (NOTE: Must replace item #27 at the same time)	1
NI	R096073	Washer , pulley (use with R065015 only)	2
5	90305275	Bolt , water pump mounting	1
6	R095026	Stud , water pump mounting	1
7	RA057027	Water Pump Assembly	1
8	RS0305	Bolt , lift bracket attaching	2
9	RS2180	Lockwasher , lift bracket attaching bolt	2
10	R042008	Bracket , lift	1
11	R090075	Bracket , alternator mounting	1
12	RS2180	Lockwasher , alternator mounting	1
13	RS1028	Nut , alternator mounting	1
14	RA097007B	Alternator Assembly (70 amp)	1
14	39236	Alternator Assembly (100 amp)	1
15	RS6531	Bolt , alternator mounting	1
16	RS2179	Lockwasher , alternator mounting bolt	1
17	RS2673	Washer , alternator mounting bolt	1
18	R099009	Bracket , alternator adjusting strap	1
19	RS2180	Lockwasher , alternator bracket attaching bolt	1
20	RS0304	Bolt , alternator bracket attaching	1
21	RS0316	Bolt , alternator mounting	1
22	RS2180	Lockwasher , alternator bracket attaching bolt	1
23	RS0306	Bolt , alternator bracket attaching	1
24	R095026	Stud , water pump mounting	1
25	RS0307	Bolt , water pump mounting	1
26	R064010A	Balancer , crankshaft	1
27	R065045	Pulley , alternator drive belt (70 Amp)	1
27	R065014	Pulley , alternator drive belt (100 Amp) (NOTE: Must replace item #4 at the same time)	1
28	R096074	Washer , crankshaft balancer	1
29	R009091	Bolt , crankshaft balancer	1
30	R094038	Grommet , rubber	1
31	RS2673	Washer , mounting bolt large	1
32	RS2179	Washer , mounting bolt small	1
33	RS0280	Bolt , raw water pump mounting	1
34	R090177A	Bracket , raw water pump mounting	1
35	RS2181	Lockwasher , raw water pump mounting bracket	2
36	RS0302	Bolt , raw water pump mounting bracket	2
37	RA057026	Raw Water Pump Assembly	1
38	R009161	Bolt , raw water pump-to-balancer mounting	3
39	RS2180	Lockwasher , raw water pump-to-balancer mounting	3
40	TBD	Pulley , Alternator, 3/8" Drive Belt (70 Amp)	1
40	R065041	Pulley , Alternator, 3/8" Drive Belt (100 Amp)	1
41	R176023	Bushing , 100 Amp Alternator	1
42	R062084	Spacer (use with 39236 only)	1

ACCESSORY DRIVE SYSTEM COMPONENTS (SERPENTINE - LH) ('05) - FIGURE 28

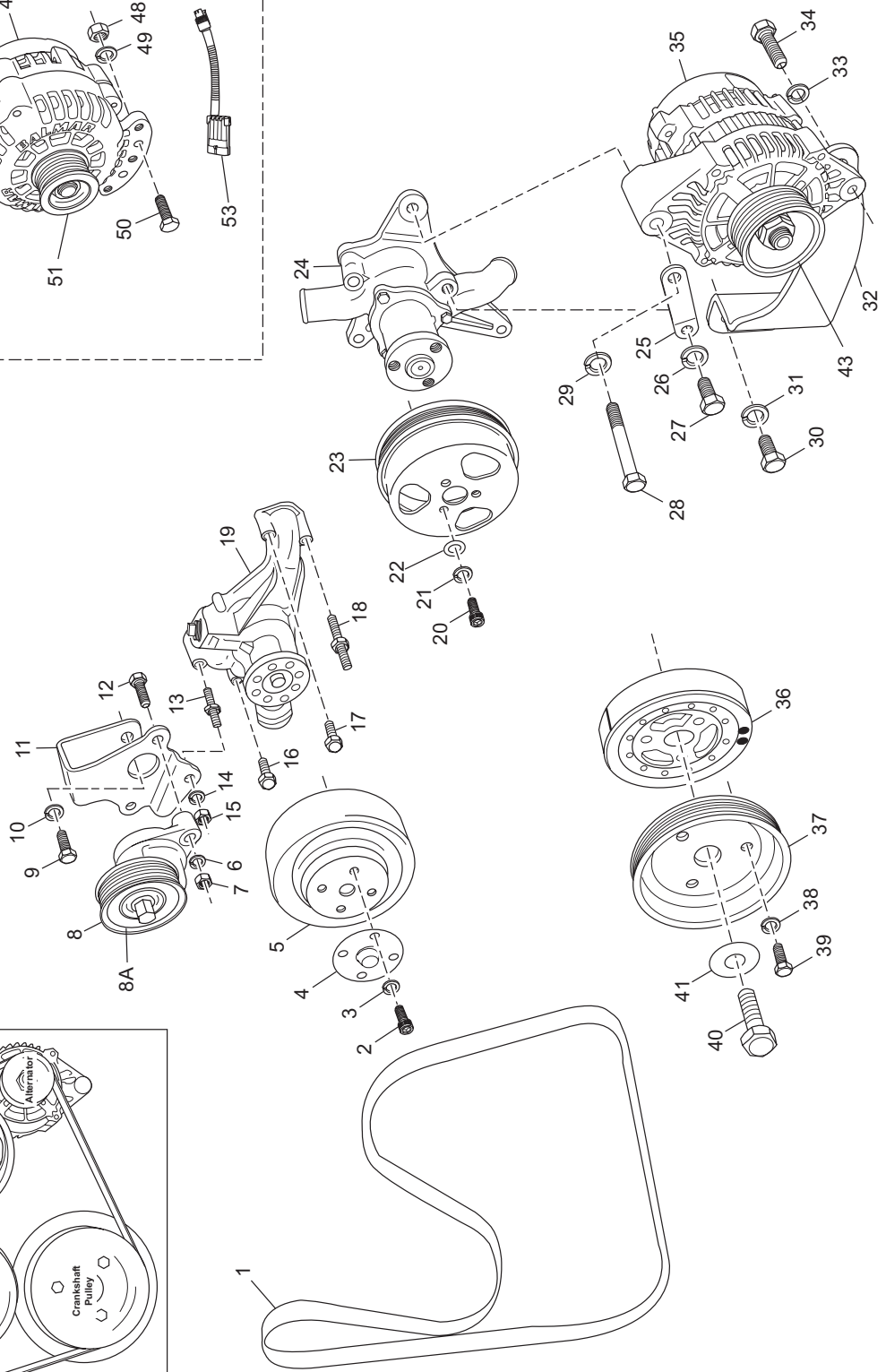
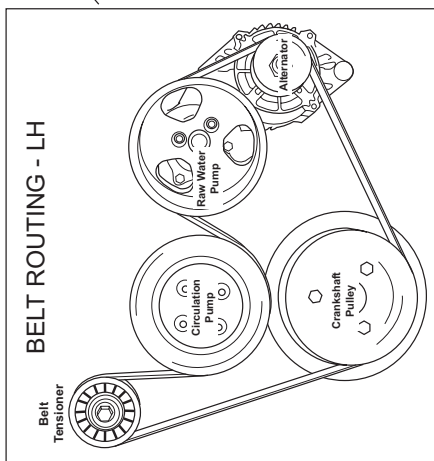
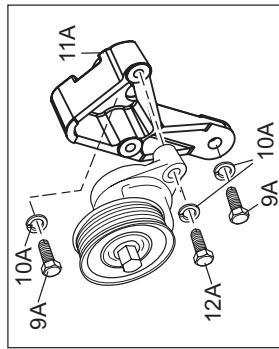
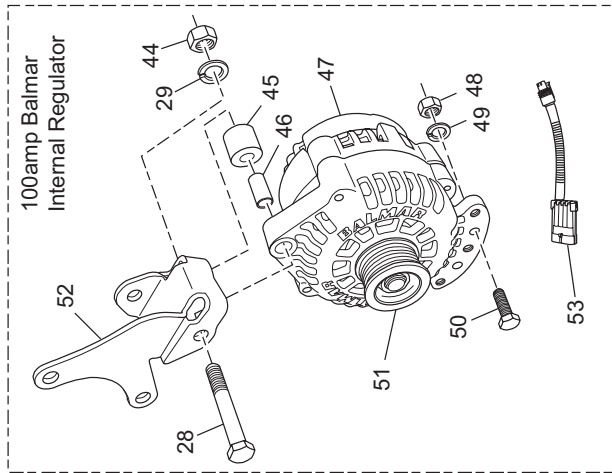


57mpi011_05

ACCESSORY DRIVE SYSTEM COMPONENTS (SERPENTINE - LH) ('05) - FIGURE 28

ITEM	PART NUMBER	DESCRIPTION	QUANTITY
1	R066028	Belt , serpentine drive, 5.7L - LH (70 amp alternator)	1
1	R066030	Belt , serpentine drive, 5.7L - LH (100 amp alternator)	1
2	90274075	Bolt , water pump pulley attaching	4
3	RS2307	Lockwasher , water pump pulley attaching bolt	4
4	R096147	Cover , water pump pulley	1
5	R065053	Pulley , water pump	1
6	RS2180	Lockwasher , belt tensioner attaching	2
7	RS1028	Nut , belt tensioner attaching	2
8	RA068001	Belt Tensioner Assembly	1
8A	R065057	Pulley , Belt Tensioner	1
9	RS0304	Bolt , tensioner bracket attaching	1
9A	TBD	Bolt , cast tensioner bracket attaching	1
10	RS2180	Lockwasher , tensioner bracket attaching	1
10A	TBD	Lockwasher , cast tensioner bracket attaching	1
11	R090287	Bracket , belt tensioner mounting	1
11A	R090287A	Bracket, Cast , belt tensioner mounting (replaces R090287)	1
12	RS0307	Bolt , belt tensioner attaching	2
12A	TBD	Bolt , cast belt tensioner attaching	2
13	R095026	Stud , water pump mounting	1
14	RS2179	Lockwasher , belt tensioner attaching	2
15	RS1527	Nut , belt tensioner attaching	2
16	90305275	Bolt , water pump mounting	1
17	90305275	Bolt , water pump mounting	1
18	R095026	Stud , water pump mounting	1
19	RA057027	Water Pump Assembly	1
20	99335016	Bolt , RWP pulley attaching	3
21	93934000	Lockwasher , RWP pulley attaching	3
22	92934000	Flatwasher , RWP pulley attaching	3
23	R065052	Pulley , raw water pump	1
24	RA057034	Raw Water Pump Assembly	1
25	R090289	Bracket , alternator mounting	1
26	RS2180	Lockwasher , alternator mounting bolt	1
27	RS0304	Bolt , alternator mounting	1
28	RS0311	Bolt , alternator mounting	1
29	RS2180	Lockwasher , alternator mounting bolt	1
30	RS0304	Bolt , alternator bracket attaching	1
31	RS2180	Lockwasher , alternator bracket attaching bolt	1
32	R090288	Bracket , alternator mounting	1
33	RS7069	Lockwasher , alternator mounting bolt	1
34	RS6738	Bolt , alternator mounting	1
35	RA097007C	Alternator Assembly (70 amp serpentine)	1
36	R064010A	Balancer , crankshaft	1
37	R065051	Pulley , serpentine drive belt	1
38	RS2180	Lockwasher , drive belt pulley attaching bolt	3
39	90315100	Bolt , drive belt pulley attaching	3
40	R009091	Bolt , crankshaft balancer	1

ACCESSORY DRIVE SYSTEM COMPONENTS (SERPENTINE - LH) ('05) - FIGURE 28 (cont'd)

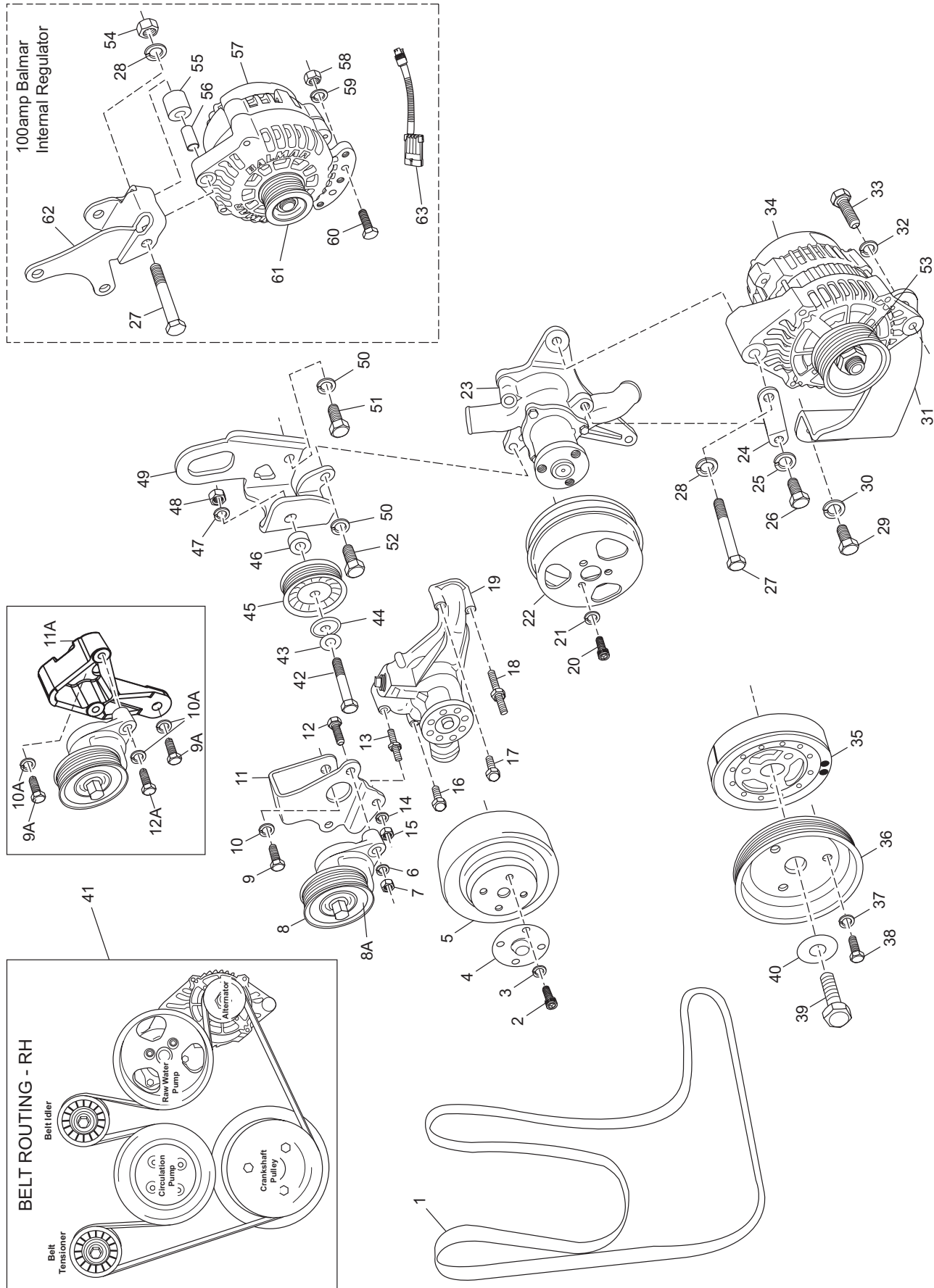


57mpi011_05

ACCESSORY DRIVE SYSTEM COMPONENTS (SERPENTINE - LH) ('05) - FIGURE 28 (cont'd)

ITEM	PART NUMBER	DESCRIPTION	QUANTITY
41	R096074	Washer , crankshaft balancer	1
N.I.	97224000	Nut , alternator wire attaching	2
N.I.	93920000	Lockwasher , alternator wire attaching	2
42	R143165	Decal , belt routing (5.7L)	1
43	R065055	Pulley , Alternator (5.X/6.0L), Serpentine	1
44	RS1028	Nut , 100 amp alternator attaching	1
45	R062084	Spacer , 100 amp alternator attaching (upper)	1
46	R176023	Bushing , 100 amp alternator attaching (upper)	1
47	RA097010	100 Amp Alternator Assembly	1
48	RS7026	Nut , 100 amp alternator attaching (lower)	1
49	RS2179	Lockwasher , 100 amp alternator attaching (lower)	1
50	RS6531	Bolt , 100 amp alternator attaching (lower)	1
51	TBD	Pulley , 100 amp alternator serpentine	1
52	R090314	Bracket , 100 amp alternator mounting	1
53	R121081	Adapter , 100 amp alternator harness	1
N.I.	R101015	Wire , Ground, alternator (54", 5.0/5.7/8.1L)	1
N.I.	R101017	Wire , Charge, alternator (5.0/5.7L)	1
N.I.	R153018A	Wire , Fused, starter to circuit breaker	1

ACCESSORY DRIVE SYSTEM COMPONENTS (SERPENTINE - RH) ('05) - FIGURE 29

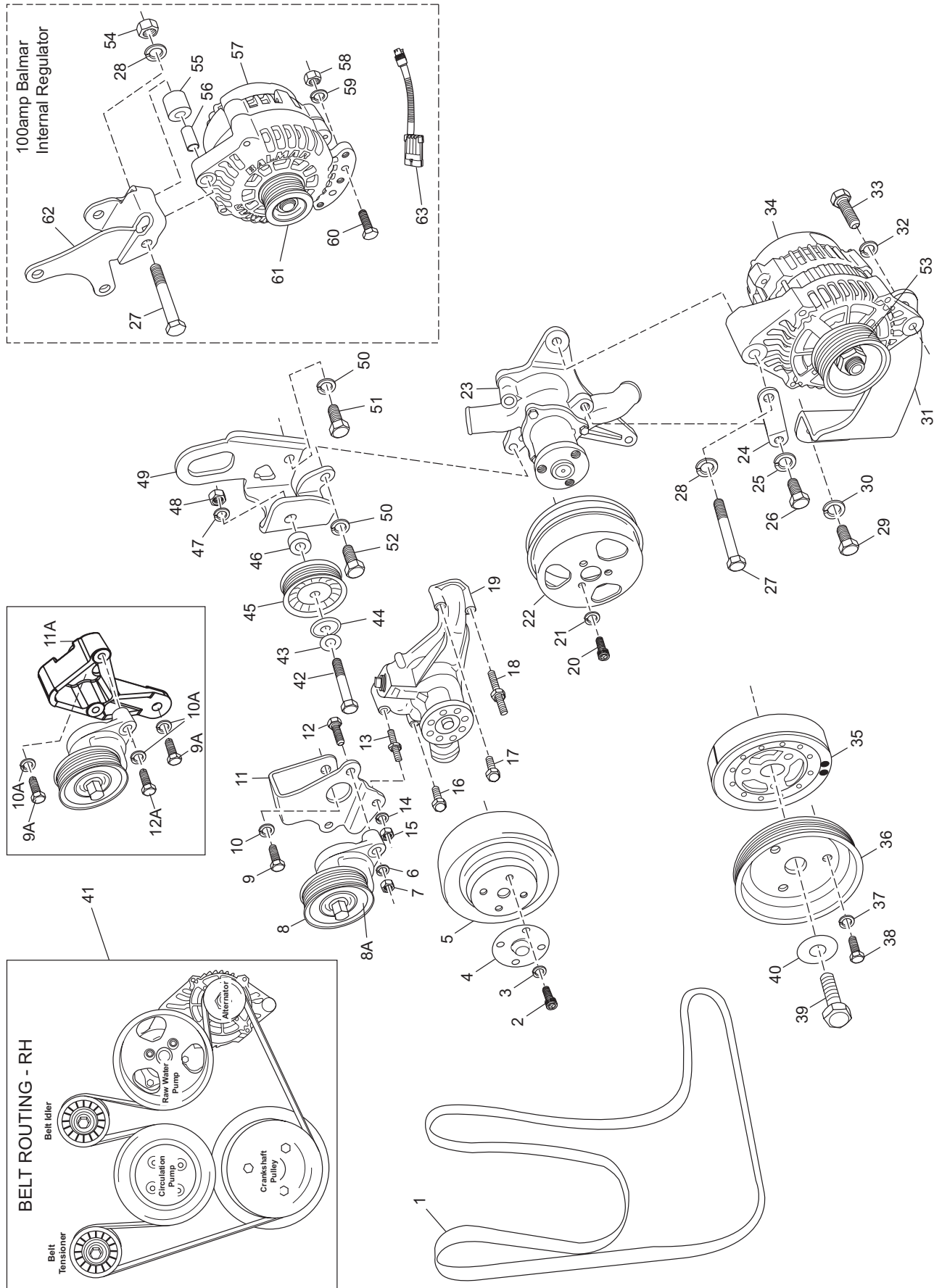


57mpi011_05RH

ACCESSORY DRIVE SYSTEM COMPONENTS (SERPENTINE - RH) ('05) - FIGURE 29

ITEM	PART NUMBER	DESCRIPTION	QUANTITY
1	R066029A	Belt , serpentine drive, 5.7L (RH) (70 amp alternator)	1
1	R066031	Belt , serpentine drive, 5.7L (RH) (100 amp alternator)	1
2	90274075	Bolt , water pump pulley attaching	4
3	RS2307	Lockwasher , water pump pulley attaching bolt	4
4	R096147	Cover , water pump pulley	1
5	R065053	Pulley , water pump	1
6	RS2180	Lockwasher , belt tensioner attaching	2
7	RS1028	Nut , belt tensioner attaching	2
8	RA068001	Belt Tensioner Assembly	1
8A	R065057	Pulley , Belt Tensioner	1
9	RS0304	Bolt , tensioner bracket attaching	1
9A	TBD	Bolt , cast tensioner bracket attaching	1
10	RS2180	Lockwasher , tensioner bracket attaching	1
10A	TBD	Lockwasher , cast tensioner bracket attaching	1
11	R090287	Bracket , belt tensioner mounting	1
11A	R090287A	Bracket, Cast , belt tensioner mounting (replaces R090287)	1
12	RS0307	Bolt , belt tensioner attaching	2
12A	TBD	Bolt , cast belt tensioner attaching	2
13	R095026	Stud , water pump mounting	1
14	RS2179	Lockwasher , belt tensioner attaching	2
15	RS1527	Nut , belt tensioner attaching	2
16	90305275	Bolt , water pump mounting	1
17	90305275	Bolt , water pump mounting	1
18	R095026	Stud , water pump mounting	1
19	RA057027	Water Pump Assembly	1
20	99335016	Bolt , RWP pulley attaching	3
21	93934000	Lockwasher , RWP pulley attaching	3
22	R065052A	Pulley , raw water pump (RH)	1
23	RA057034	Raw Water Pump Assembly	1
24	R090289	Bracket , alternator mounting	1
25	RS2180	Lockwasher , alternator mounting bolt	1
26	RS0304	Bolt , alternator mounting	1
27	RS0311	Bolt , alternator mounting	1
28	RS2180	Lockwasher , alternator mounting bolt	1
29	RS0304	Bolt , alternator bracket attaching	1
30	RS2180	Lockwasher , alternator bracket attaching bolt	1
31	R090288	Bracket , alternator mounting	1
32	RS7069	Lockwasher , alternator mounting bolt	1
33	RS6738	Bolt , alternator mounting	1

ACCESSORY DRIVE SYSTEM COMPONENTS (SERPENTINE - RH) ('05) - FIGURE 29 (cont'd)

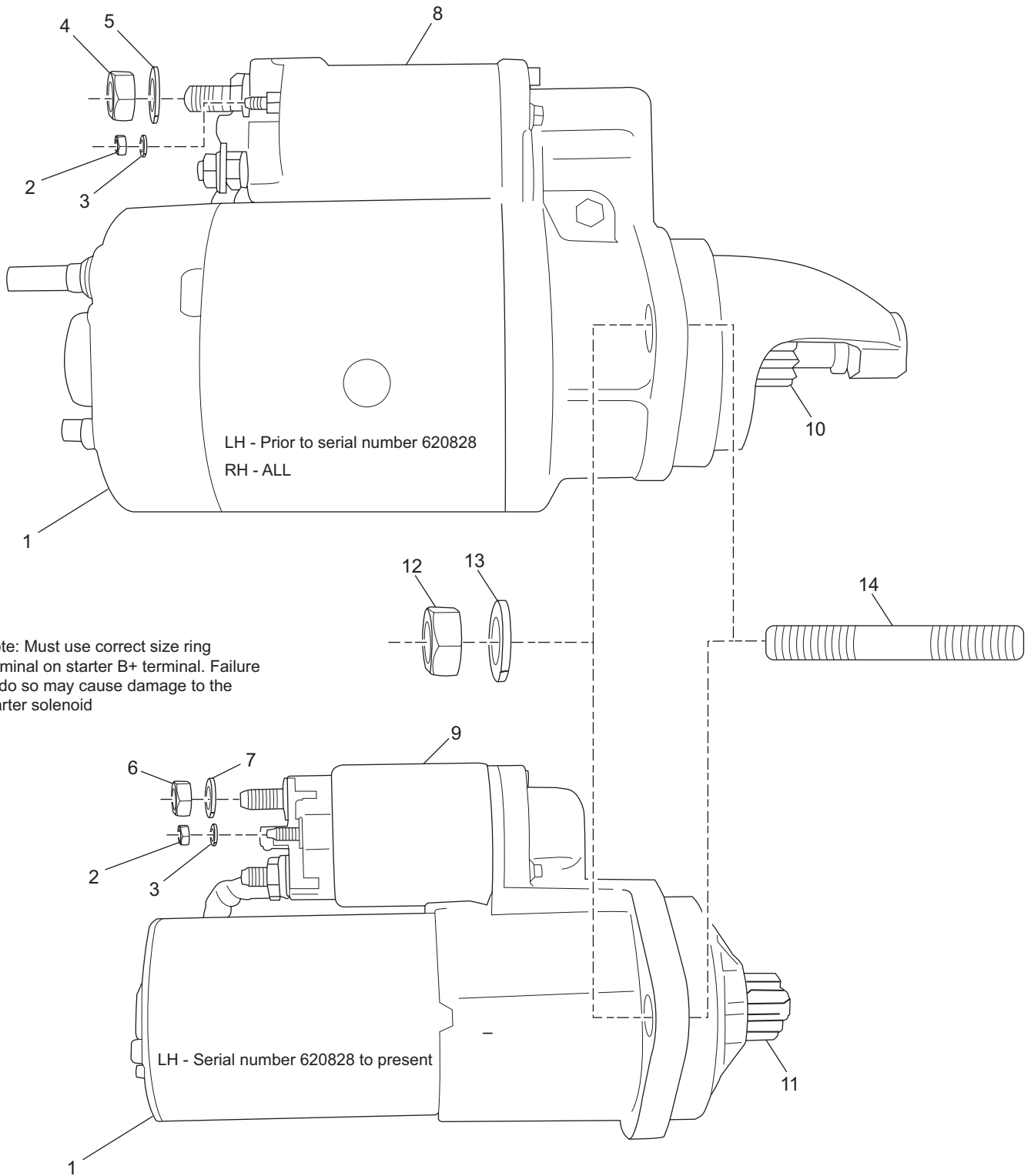


57mpi011_05RH

ACCESSORY DRIVE SYSTEM COMPONENTS (SERPENTINE - RH) ('05) - FIGURE 29 (cont'd)

ITEM	PART NUMBER	DESCRIPTION	QUANTITY
34	RA097007C	Alternator Assembly (70 amp serpentine)	1
35	R064010A	Balancer , crankshaft	1
36	R065051	Pulley , serpentine drive belt	1
37	RS2180	Lockwasher , drive belt pulley attaching bolt	3
38	90315100	Bolt , drive belt pulley attaching	3
39	R009091	Bolt , crankshaft balancer	1
40	R096074	Washer , crankshaft balancer	1
N.I.	97224000	Nut , alternator wire attaching	2
N.I.	93920000	Lockwasher , alternator wire attaching	2
41	R143165A	Decal , belt routing, 5.7L (RH)	1
42	98443050	Bolt , Idler Pulley attaching	1
43	92940000	Flat Washer , Idler Pulley attaching	1
44	R096145	Flat Washer , Idler Pulley attaching	1
45	R065054	Pulley , Idler	1
46	R062083	Spacer , Idler Pulley	1
47	97440000	Lock Washer , Idler Pulley attaching	1
48	RS7027	Nut , Idler Pulley attaching	1
49	R090307	Bracket , Idler pulley 5.7 (RH)	1
50	RS2180	Lock Washer , Idler bracket attaching	2
51	RS0304	Bolt , Idler bracket attaching, upper	1
52	RS0306	Bolt , Idler bracket attaching, lower	1
53	R065055	Pulley , Alternator (5.X/6.0L), Serpentine	1
54	RS1028	Nut , 100 amp alternator attaching	1
55	R062084	Spacer , 100 amp alternator attaching (upper)	1
56	R176023	Bushing , 100 amp alternator attaching (upper)	1
57	RA097010	100 Amp Alternator Assembly	1
58	RS7026	Nut , 100 amp alternator attaching (lower)	1
59	RS2179	Lockwasher , 100 amp alternator attaching (lower)	1
60	RS6531	Bolt , 100 amp alternator attaching (lower)	1
61	TBD	Pulley , 100 amp alternator serpentine	1
62	R090314	Bracket , 100 amp alternator mounting	1
63	R121081	Adapter , 100 amp alternator harness	1
N.I.	R101015	Wire , Ground, alternator	1
N.I.	R101017	Wire , Charge, alternator	1
N.I.	R153018A	Wire , Fused, starter to circuit breaker	1

STARTER ASSEMBLY COMPONENTS - FIGURE 30

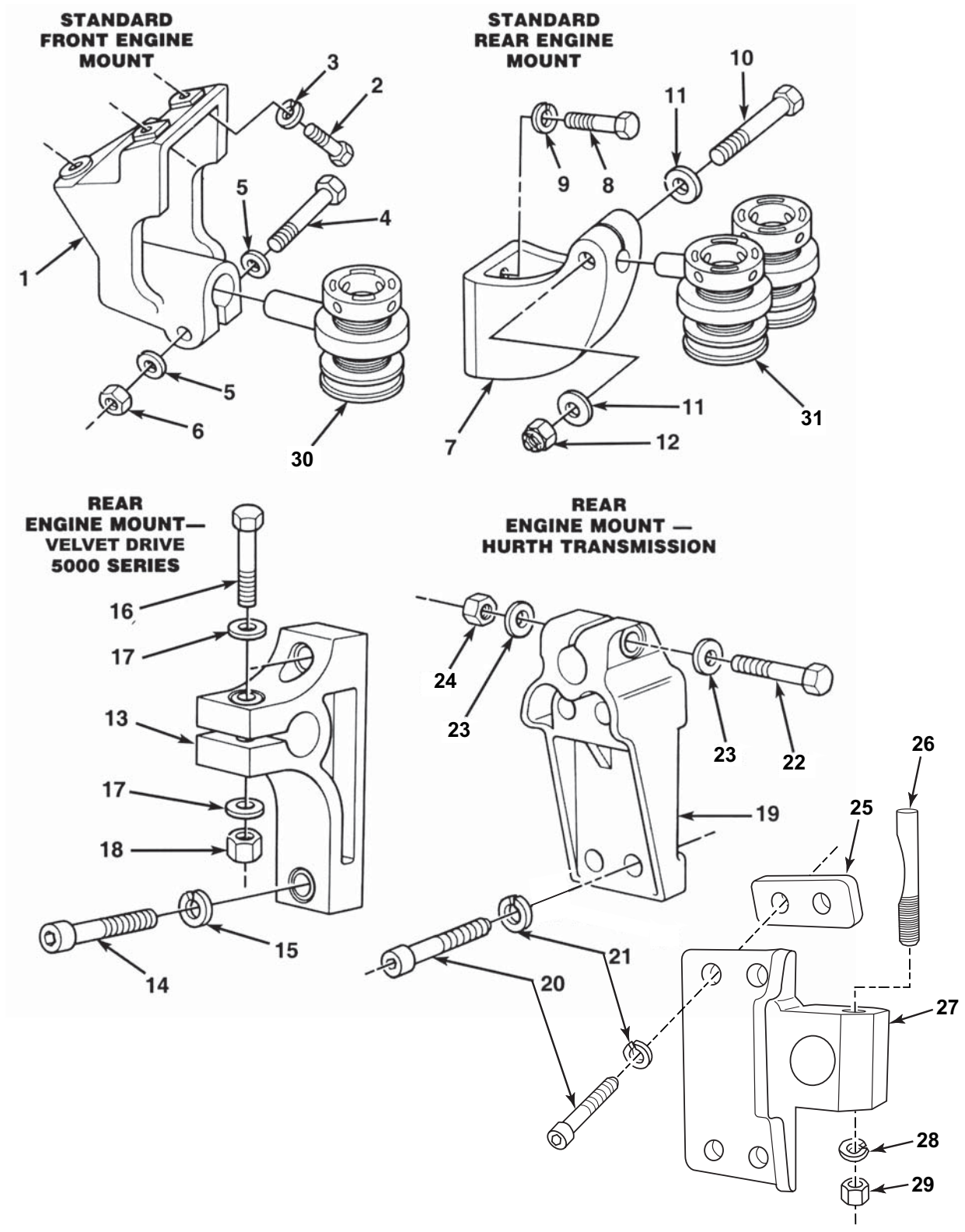


PC57B016CR

STARTER ASSEMBLY COMPONENTS - FIGURE 30

ITEM	PART NUMBER	DESCRIPTION	QUANTITY
1	RA122009	Starter Motor Assembly (LH rotation)	1
1	RA122008	Starter Motor Assembly (RH rotation)	1
2	RS7036	Nut , solenoid terminal	1
3	93003000	Lockwasher , solenoid terminal	1
4	RS7019	Nut , solenoid terminal	1
5	RS7081	Lockwasher , solenoid terminal	1
6	RS7018	Nut , solenoid terminal	1
7	RS7080	Lockwasher , solenoid terminal	1
8	RU0050	Solenoid Assembly , starter	1
9	RU0050B	Solenoid Assembly , starter	1
10	RU0051	Drive Assembly , clutch (LH)	1
10	RU0052	Drive Assembly , clutch (RH)	1
11	TBD	Drive , starter	1
12	RS1029	Nut , starter mounting	2
13	RS2181	Lockwasher , starter mounting	2
14	R031018	Stud , starter mounting	2

ENGINE and TRANSMISSION MOUNTS - FIGURE 31



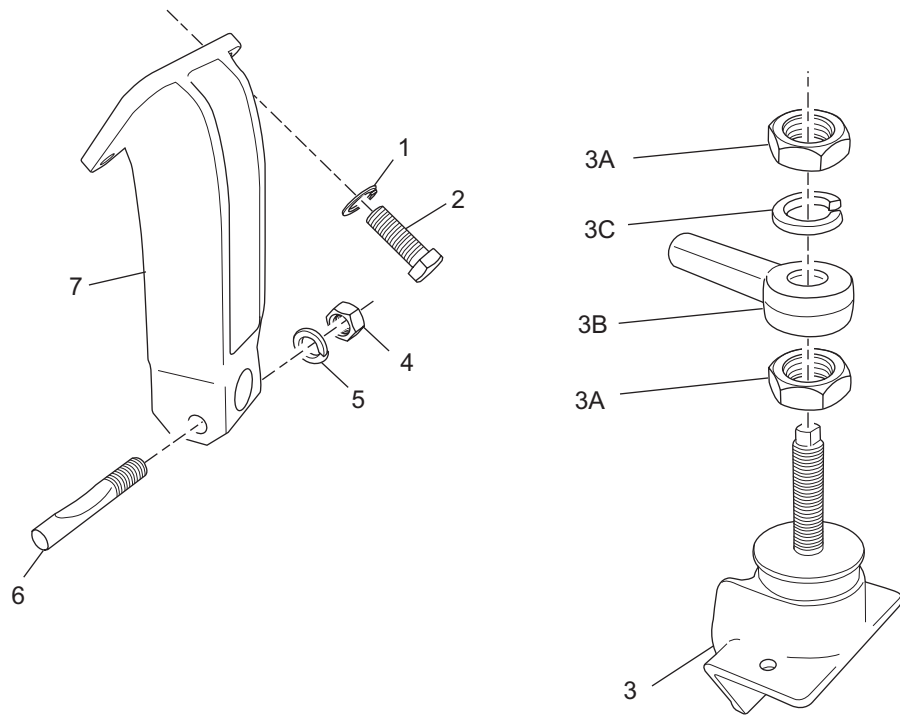
PC81017

ENGINE and TRANSMISSION MOUNTS - FIGURE 31

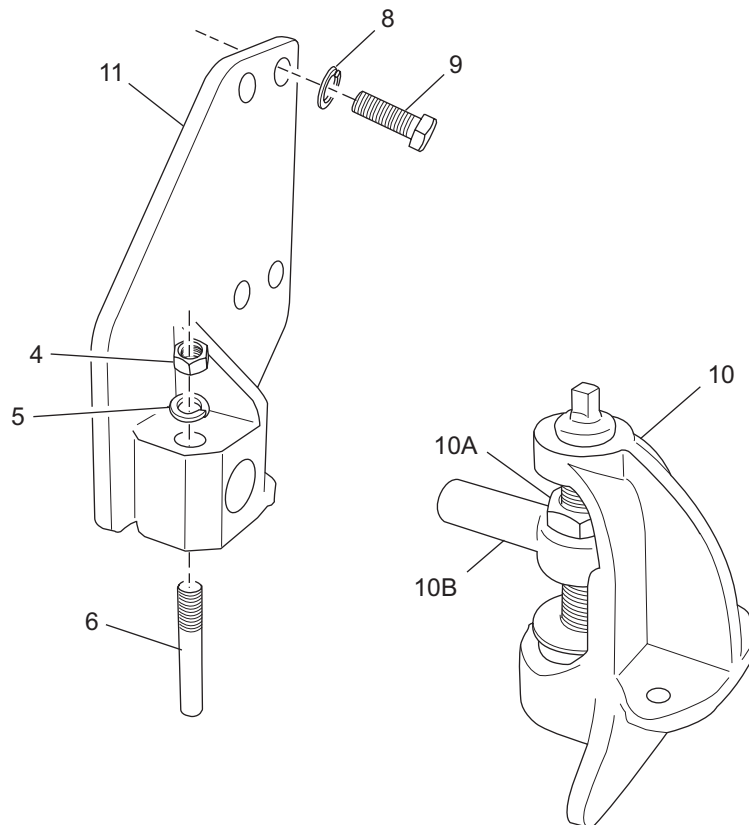
ITEM	PART NUMBER	DESCRIPTION	QUANTITY
		Standard Front Engine Mount	
1	97938	Bracket , engine mounting (front)	2
2	RS0305	Bolt , socket head	4
2	RS3442	Stud	2
N.S.	RS1028	Nut , attaching	2
3	RS2180	Lockwasher , bracket mounting bolt	6
4	90318225	Bolt , trunnion shaft (2 1/4")	2
5	92300000	Washer , trunnion bolt	4
6	95310300	Nut , trunnion bolt - locking	2
		Standard Rear Engine Mount	
7	97917	Bracket , engine mounting (Rear)	2
8	RS0328	Bolt , bracket to transmission (1 1/4")	4
9	RS2181	Lockwasher , bracket mounting bolt	4
10	90318325	Bolt , trunnion shaft (3 1/4")	2
11	92300000	Washer , trunnion bolt	4
12	95310300	Nut , trunnion bolt - locking	2
		Rear Engine Mount - Velvet Drive 5000 Series	
13	98224	Bracket , transmission mounting (Starboard)	1
13	98225	Bracket , transmission mounting (Port)	1
14	RS6336	Bolt , bracket to transmission (12 mm x 60 mm)	4
15	RS7071	Lockwasher (12 mm)	4
16	90318325	Bolt , trunnion shaft (3 1/4")	2
17	92300000	Washer , trunnion bolt	4
18	95310300	Nut , trunnion bolt - locking	2
		Rear Engine Mount - Hurth Transmission	
19	R090174A	Bracket , engine mounting (rear)	2
20	RS6331	Bolt , bracket to transmission (12 mm x 35 mm)	4
20	RS6336	Bolt , bracket to transmission (12 mm x 60 mm)	4
21	RS7071	Lockwasher (12 mm)	8
22	90318325	Bolt , trunnion shaft (3 1/4")	2
23	92300000	Washer , trunnion bolt	4
24	95310300	Nut , trunnion bolt - locking	2
25	R109049	Spacer , bracket to transmission	2
26	R095020	Bolt , trunnion shaft	2
27	R090217	Bracket , engine mounting (port)	1
27	R090218	Bracket , engine mounting (starboard)	1
28	RS2181	Lockwasher , trunnion bolt	2
29	RS1529	Nut , trunnion bolt - locking	2
		Mount Supports	
30	97926	Mount , engine support (single front)	2
31	97905	Mount , engine support (dual rear)	2

OPTIONAL ENGINE and TRANSMISSION MOUNTS - FIGURE 32

OPTIONAL FRONT MOUNT



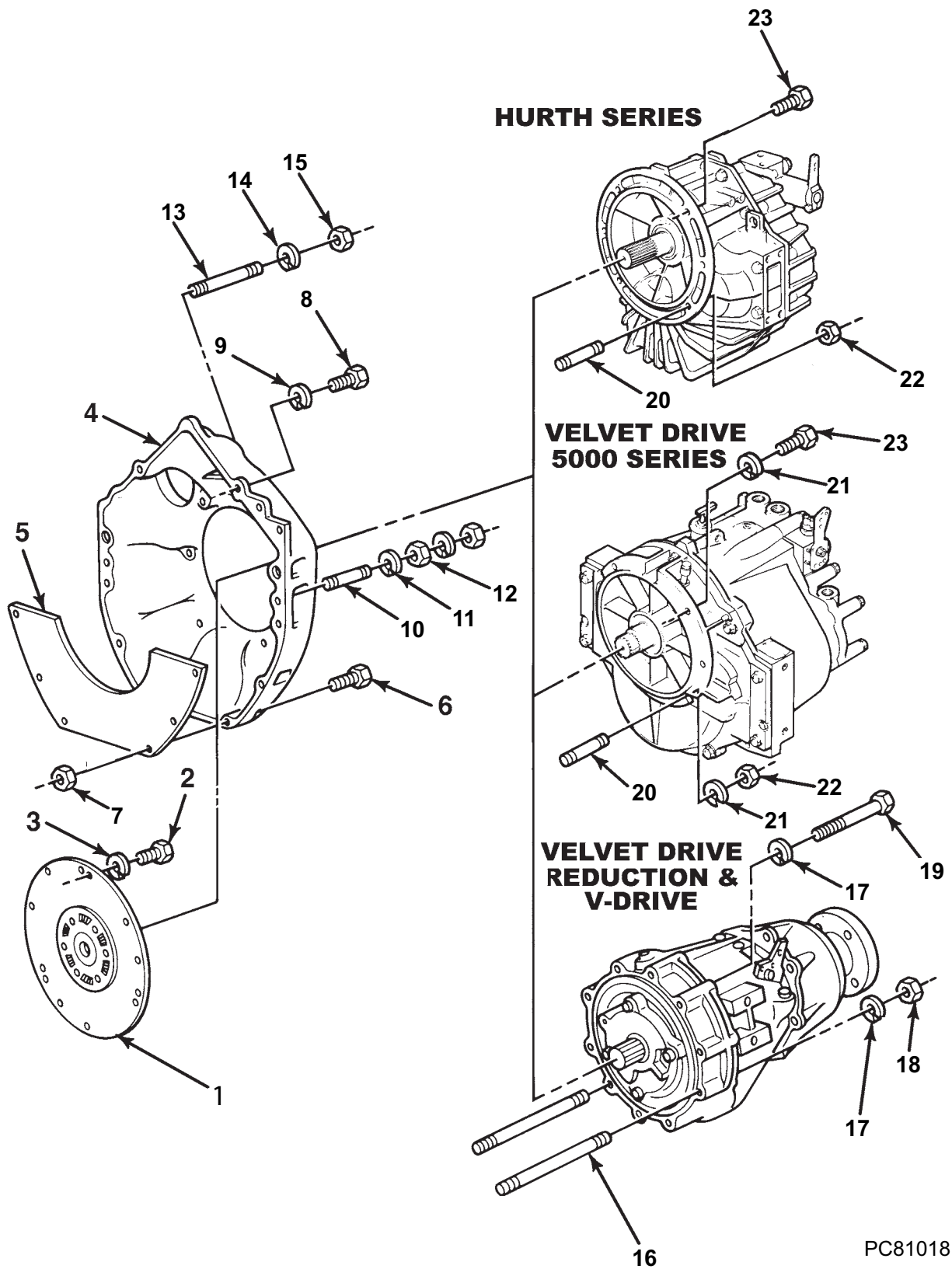
OPTIONAL REAR MOUNT - HURTH GEAR



OPTIONAL ENGINE and TRANSMISSION MOUNTS - FIGURE 32

ITEM	PART NUMBER	DESCRIPTION	QUANTITY
1	RS2180	Lockwasher , bracket mounting bolt	6
2	RS0305	Bolt , socket head	4
3	RC091001	Trunnion Assembly	2
3A	RS1075	Nut , adjustment and lock	4
3B	R091001	Trunnion, long	2
3C	RS2186	Lockwasher , adjusting nut	2
4	RS1529	Nut , trunnion bolt - locking	2
5	RS2181	Lockwasher , trunnion bolt	2
6	R095020	Bolt , trunnion shaft	2
7	R090071B	Bracket , engine mounting (front)	2
8	RS7071	Lockwasher (12 mm)	8
9	RS6336	Bolt , bracket to transmission (12 mm x 60 mm)	4
10	RA092011	Trunnion Assembly , tall	2
10A	R091003	Trunnion , 2.5"	2
10B	RS1075	Nut , adjustment and lock	2
11	R090312	Bracket , engine mounting (rear - port)	1
11	R090313	Bracket , engine mounting (rear - starboard)	1

BELL HOUSING ASSEMBLY - FIGURE 33

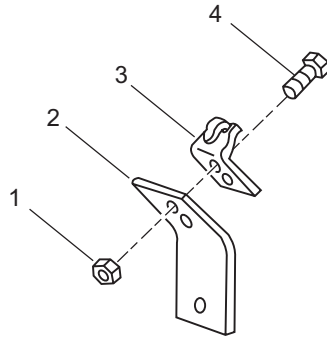


PC81018

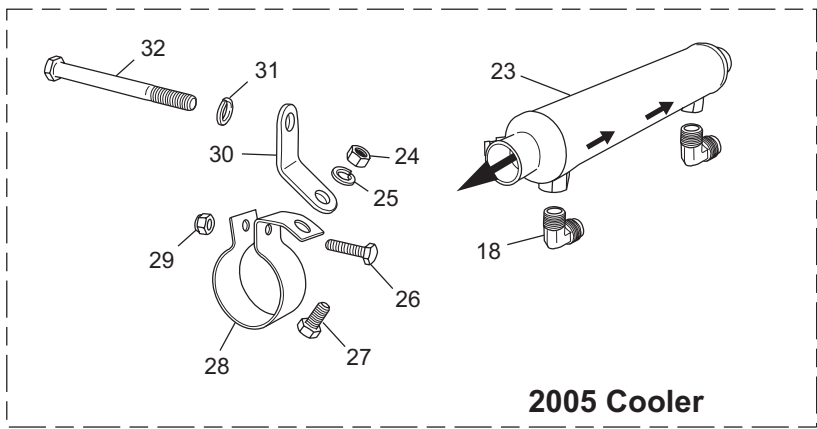
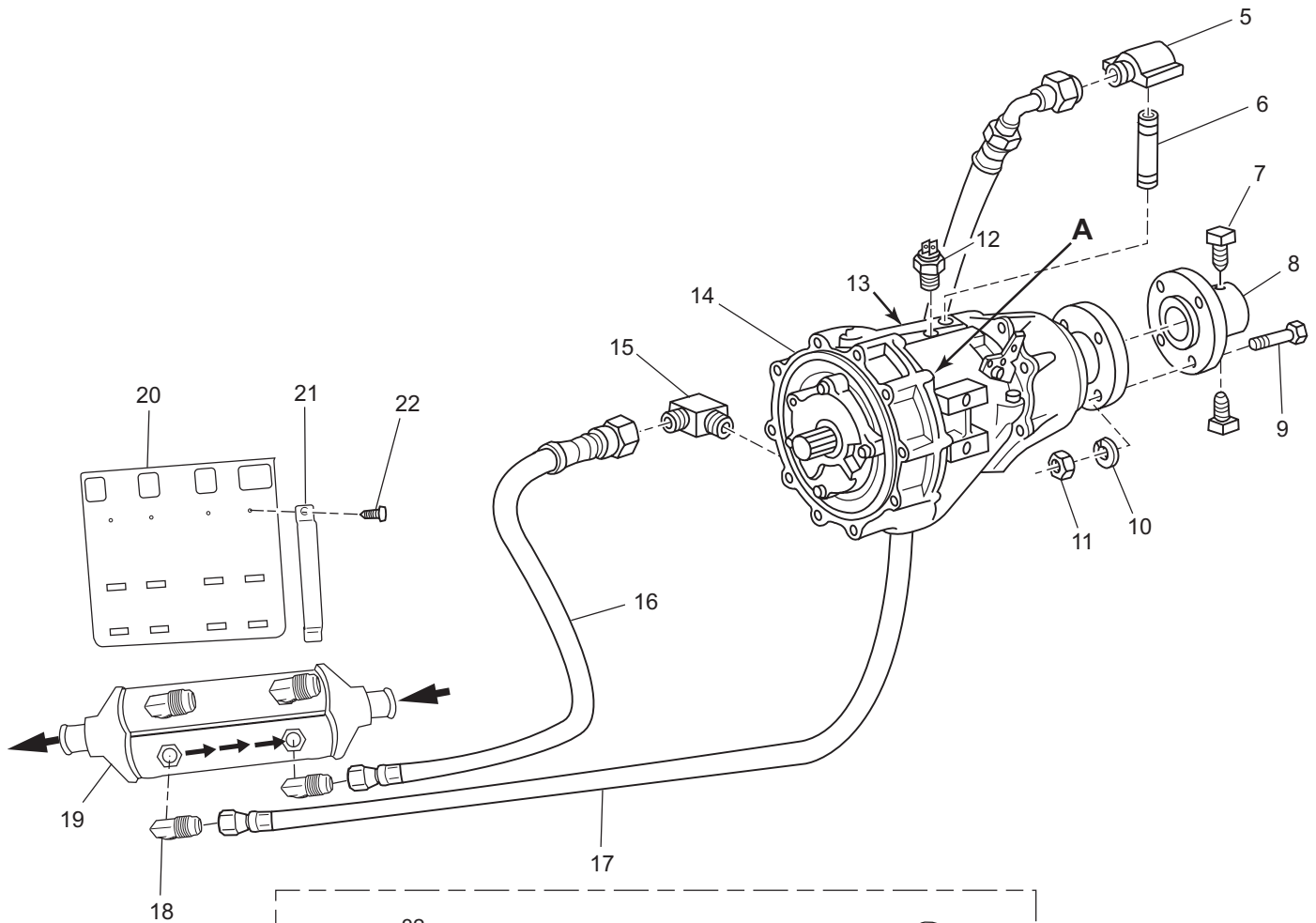
BELL HOUSING ASSEMBLY - FIGURE 33

ITEM	PART NUMBER	DESCRIPTION	QUANTITY
1	R140019	Drive Damper Assembly , (Hurth - LH rotation Only)	1
1	98511	Drive Damper Assembly , (Standard Velvet Drive and ALL RH rotation)	1
2	R009092	Bolt , damper to flywheel (1")	6
3	RS2180	Lockwasher , damper bolt	6
4	R142014	Bellhousing , flywheel	1
5	R019008	Cover , bellhousing (use w/top mount starter)	1
5	R019008A	Cover , bellhousing (use w/bottom mount starter)	1
NI	R019010	Cover , top mount starter (used w/R019008A)	1
NI	RS0327	Bolt , dust cover attaching	2
NI	RS2181	Lockwasher , dust cover attaching	2
6	RS0256	Bolt , cover to bellhousing (1")	5
6	90105125	Bolt , cover to bellhousing (1 1/4")	1
7	RS1078	Nut , cover bolt	6
8	98443050	Bolt , bellhousing to block	2
8	99443030	Bolt , SHCS (behind starter)	1
9	93940000	Lockwasher , bellhousing bolt	2
10	R031033	Stud , bellhousing mounting	2
11	RS2180	Lockwasher , mounting stud	4
12	RS1028	Nut , mounting stud	4
13	R031018	Stud , starter mounting (1 5/8")	2
14	RS2181	Lockwasher , starter mounting stud	2
15	RS1029	Nut , starter mounting stud	2
		Velvet Drive Reduction & "V"-Drive	
16	96541	Stud , transmission mounting (4")	2
17	RS2181	Lockwasher , transmission mounting	6
18	RS1029	Nut , transmission mounting stud	2
19	RS0337	Bolt , transmission mounting	4
		Velvet Drive 5000 & Hurth Gears	
20	R031018	Stud , transmission mounting (1 5/8")	2
21	RS2180	Lockwasher , transmission mounting	6
22	RS1029	Nut , transmission mounting stud	2
23	RS0329	Bolt , transmission mounting	4

TRANSMISSION AND RELATED COMPONENTS (VELVET DRIVE IN-LINE) - FIGURE 34



**A - FRONT MOUNT
SHIFT BRACKET**



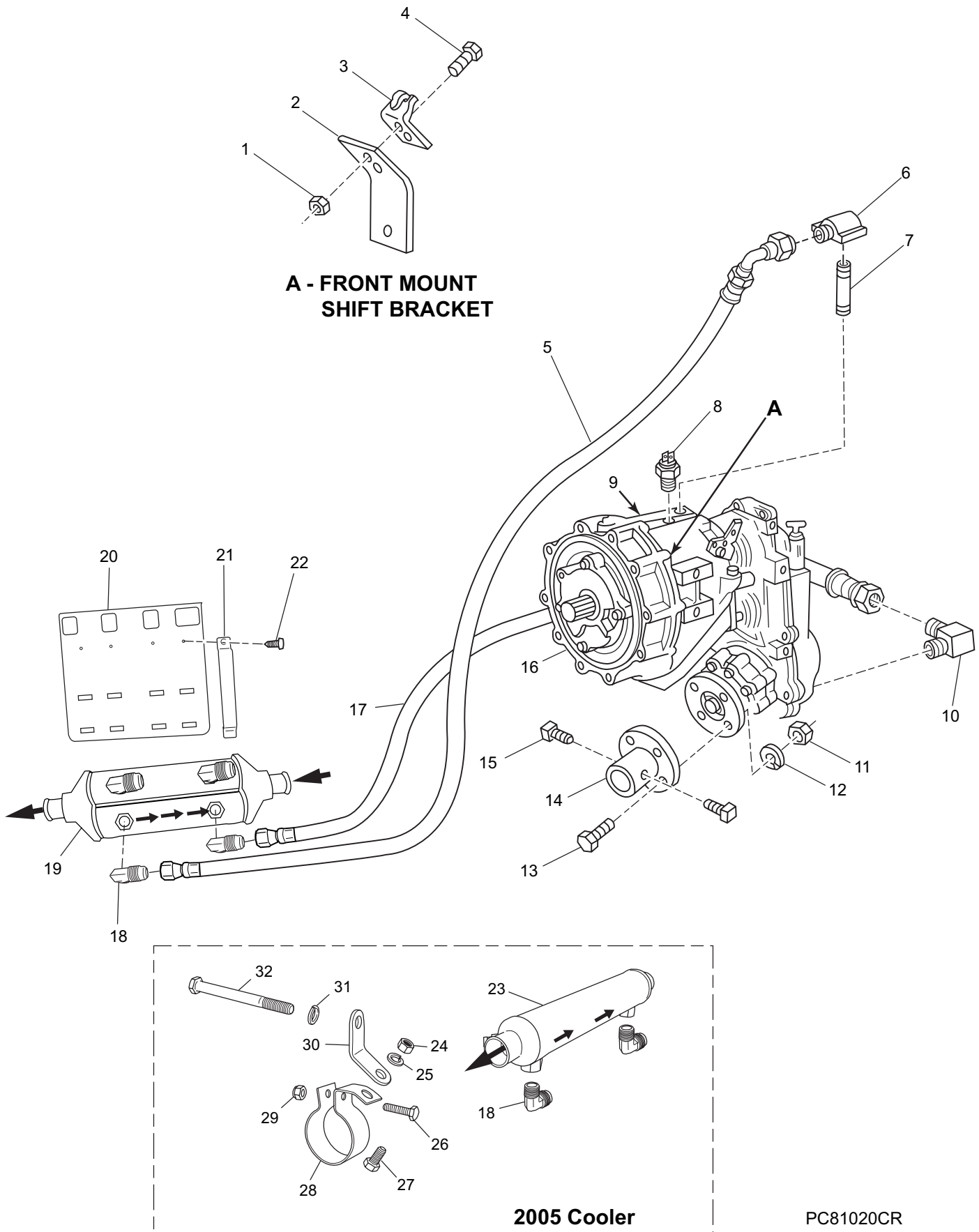
2005 Cooler

PC81019CR

TRANSMISSION AND RELATED COMPONENTS (VELVET DRIVE IN-LINE) - FIGURE 34

ITEM	PART NUMBER	DESCRIPTION	QUANTITY
1	RS2055	Nut , attaching bolt	2
2	96341	Shift Bracket (front mount)	1
3	R090086	Cable Clip , single cable	1
3	22232	Cable Clip , dual cable clip (not shown)	OPT
4	RS5122	Bolt , clip attaching (1/2")	2
5	R024008	Elbow , hose - transmission (90 degree)	1
6	RS4674	Nipple , pipe (3")	1
7	RS3337A	Screw , set - coupler	2
8	R148001	Coupler , prop shaft (1" shaft)	OPT
8	R148002	Coupler , prop shaft (1 1/8" shaft)	OPT
8	R148003	Coupler , prop shaft (1 1/4" shaft)	OPT
8	R148004	Coupler , prop shaft (1 3/8" shaft)	OPT
8	R148005	Coupler , prop shaft (1 1/2" shaft)	OPT
8	R148007	Coupler , prop shaft (1 3/4" shaft)	OPT
8	R148008	Coupler , prop shaft (2" shaft)	OPT
9	22136	Bolt , coupling (1 1/2")	4
10	RS2181	Lockwasher , coupling bolt	4
11	RS1529	Nut , coupling bolt	4
12	R020037	Sender , temperature alarm	1
13	R153002	Switch Kit , neutral start (not shown)	1
13A	25542	Switch & O-Ring Assembly (not shown)	1
14	RA157001	Transmission (71C, 1:1 Direct Drive)	1
14	RA157002	Transmission (71C, 1.52:1 Reduction)	1
14	RA157003	Transmission (72C, 1:1 Direct Drive)	1
14	RA157004	Transmission (72C, 1.52:1 Reduction)	1
14	RA157004A	Transmission (1.88:1 Reduction)	1
14	RA157004D	Transmission (2.57:1 Reduction)	1
14	RA157004E	Transmission (2.91:1 Reduction)	1
15	R024010	Elbow , hose - transmission (90 degree)	1
16	RA045007H	Hose Assembly , cooler to transmission	1
17	RA045007N	Hose Assembly , transmission to cooler	1
18	R024010	Fitting , 90 degree	2
19	R147035	Oil Cooler Assembly	1
20	R090194	Bracket , cooler	1
21	R171007	Strap , cooler mounting	2
22	RS5115	Screw , cooler mounting	2
23	R147006	Cooler Assembly , transmission oil ('05)	1
24	RS1028	Nut , cooler bracket attaching	1
25	RS2180	Lockwasher , cooler bracket attaching	1
26	RS0256	Bolt , cooler bracket attaching	1
27	RS0302	Bolt , cooler bracket attaching	1
28	R090010	Bracket , transmission cooler mounting	1
29	RS2058	Nut , cooler bracket attaching	1
30	R090304	Bracket , transmission cooler attaching	1
31	RS2180	Lockwasher , cooler bracket mounting	1
32	RS0316	Bolt , cooler bracket mounting (exhaust manifold bolt)	1

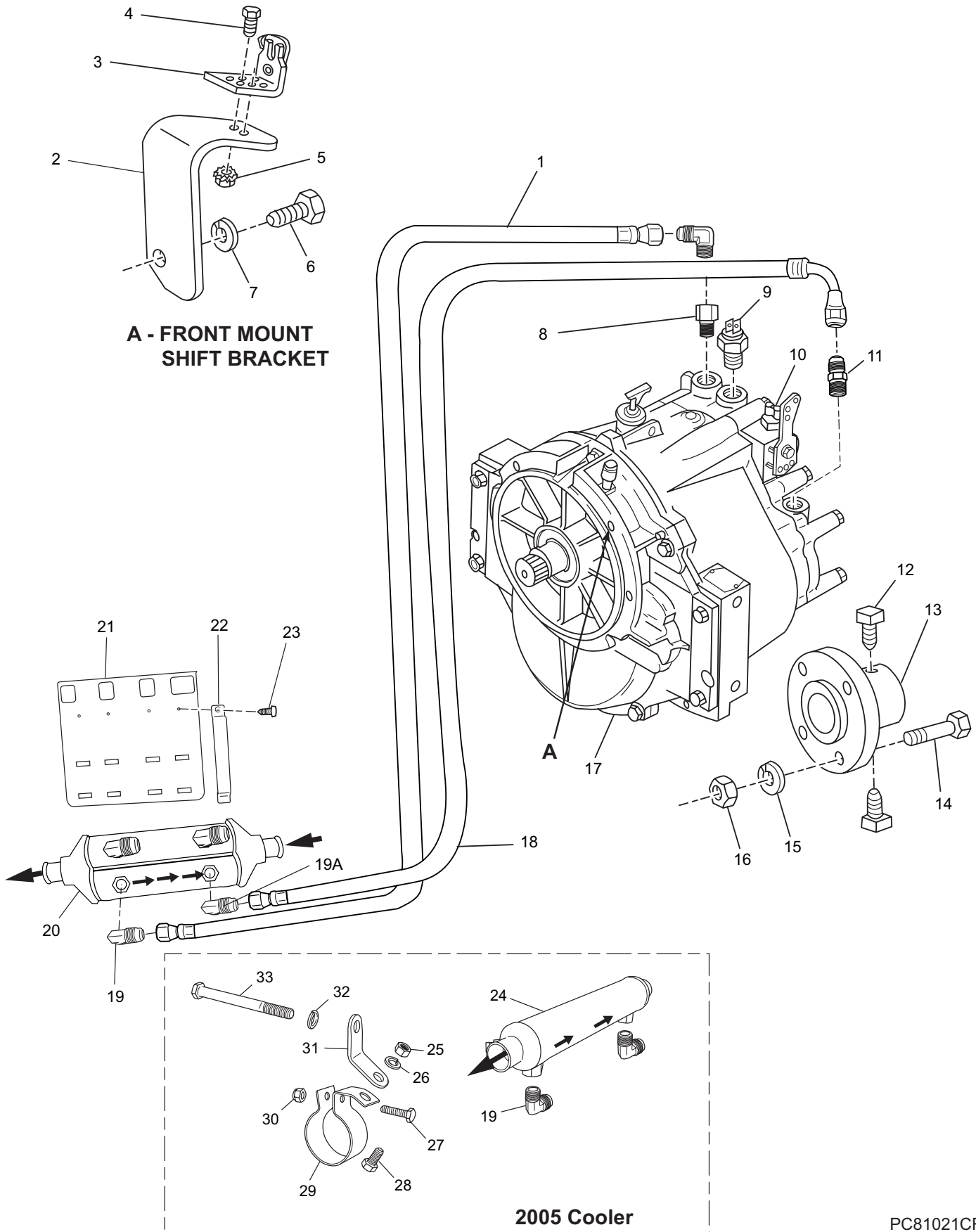
TRANSMISSION AND RELATED COMPONENTS (VELVET DRIVE "V"-DRIVE) - FIGURE 35



TRANSMISSION AND RELATED COMPONENTS (VELVET DRIVE "V"-DRIVE) - FIGURE 35

ITEM	PART NUMBER	DESCRIPTION	QUANTITY
1	RS2055	Nut , attaching bolt	2
2	96341	Shift Bracket (front mount)	1
3	R090086	Cable Clip , single cable	1
3	22232	Cable Clip , dual cable clip (not shown)	OPT
4	RS5122	Bolt , clip attaching (1/2")	2
5	RA045007N	Hose Assembly , transmission to cooler	1
6	R024008	Elbow , hose - transmission (90 degree)	1
7	RS4674	Nipple , pipe (3")	1
8	R020037	Sender , temperature alarm	1
9	R153002	Switch Kit , neutral start (not shown)	1
9A	25542	Switch & O-Ring Assembly (not shown)	1
10	R024010	Elbow , hose - transmission (90 degree)	1
11	RS1529	Nut , coupling bolt	4
12	RS2181	Lockwasher , coupling bolt	4
13	22136	Bolt , coupling (1 1/2")	4
14	R148001	Coupler , prop shaft (1" shaft)	OPT
14	R148002	Coupler , prop shaft (1 1/8" shaft)	OPT
14	R148003	Coupler , prop shaft (1 1/4" shaft)	OPT
14	R148004	Coupler , prop shaft (1 3/8" shaft)	OPT
14	R148005	Coupler , prop shaft (1 1/2" shaft)	OPT
14	R148007	Coupler , prop shaft (1 3/4" shaft)	OPT
14	R148008	Coupler , prop shaft (2" shaft)	OPT
15	RS3337A	Screw , set - coupler	2
16	RA156002B	Transmission (1.51:1 Reduction)	1
16	RA156002D	Transmission (1.99:1 Reduction)	1
16	RA156002E	Transmission (2.49:1 Reduction)	1
17	RA045007N	Hose Assembly , cooler to transmission	1
18	R024010	Fitting , 90 degrees	2
19	R147035	Oil Cooler Assembly	1
20	R090194	Bracket , cooler	1
21	R171007	Strap , cooler mounting	2
22	RS5115	Screw , cooler mounting	2
23	R147006	Cooler Assembly , transmission oil ('05)	1
24	RS1028	Nut , cooler bracket attaching	1
25	RS2180	Lockwasher , cooler bracket attaching	1
26	RS0256	Bolt , cooler bracket attaching	1
27	RS0302	Bolt , cooler bracket attaching	1
28	R090010	Bracket , transmission cooler mounting	1
29	RS2058	Nut , cooler bracket attaching	1
30	R090304	Bracket , transmission cooler attaching	1
31	RS2180	Lockwasher , cooler bracket mounting	1
32	RS0316	Bolt , cooler bracket mounting (exhaust manifold bolt)	1

TRANSMISSION AND RELATED COMPONENTS (VELVET DRIVE 5000) - FIGURE 36



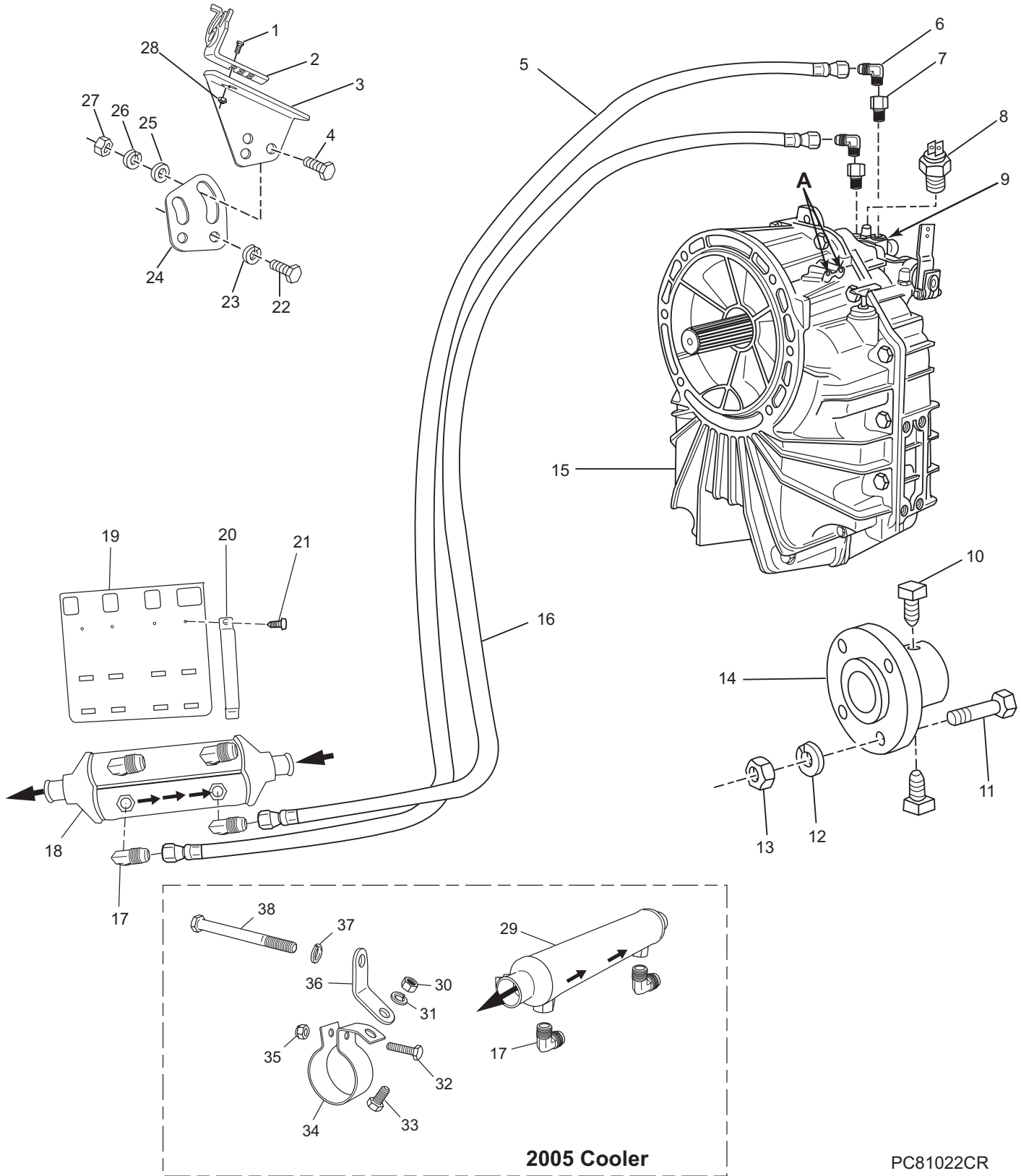
PC81021CR

TRANSMISSION AND RELATED COMPONENTS (VELVET DRIVE 5000) - FIGURE 36

ITEM	PART NUMBER	DESCRIPTION	QUANTITY
1	RA045007T	Hose Assembly , transmission to cooler	1
2	98227	Shift Bracket , (front entry)	1
3	R090086	Cable Clip , single cable	1
3	22232	Cable Clip , dual cable clip (not shown)	OPT
4	RS5122	Bolt , clip attaching (1/2")	2
5	RS2055	Nut , attaching bolt	2
6	RS0329	Bolt , shift bracket attaching	2
7	RS2180	Washer , shift bracket attaching bolt	2
8	R024196	Fitting , adapter	1
9	R020037	Sender , temperature alarm	1
10	25542	Switch & O-Ring Assembly (not shown)	1
11	30603	Fitting , adapter	1
12	2000090	Screw , set - coupler	2
13	R148001	Coupler , prop shaft (1" shaft)	OPT
13	R148002	Coupler , prop shaft (1 1/8" shaft)	OPT
13	R148003	Coupler , prop shaft (1 1/4" shaft)	OPT
13	R148004	Coupler , prop shaft (1 3/8" shaft)	OPT
13	R148005	Coupler , prop shaft (1 1/2" shaft)	OPT
13	R148007	Coupler , prop shaft (1 3/4" shaft)	OPT
13	R148008	Coupler , prop shaft (2" shaft)	OPT
14	22136	Bolt , coupling (1 1/2")	4
15	RS2181	Lockwasher , coupling bolt	4
16	RS1529	Nut , coupling bolt	4
17	RA157020B	Transmission (1.50:1 Reduction) Down Angle	1
17	RA157020C	Transmission (2:1 Reduction) Down Angle	1
17	RA157020D	Transmission (2.45:1 Reduction) Down Angle	1
17	RA157020E	Transmission (2.80:1 Reduction) Down Angle	1
17	RA156008	Transmission (1.25:1 Reduction) V-Drive	1
17	RA156008A	Transmission (1.50:1 Reduction) V-Drive	1
17	RA156008B	Transmission (2:1 Reduction) V-Drive	1
17	RA156008C	Transmission (2.50:1 Reduction) V-Drive	1
18	18203	Hose Assembly , cooler to transmission	1
19	R024010	Fitting , 90 degrees	2
19A	137425	Fitting , 90 degrees	1
20	R147035	Oil Cooler Assembly	1
21	R090194	Bracket , cooler	1
22	R171007	Strap , cooler mounting	2
23	RS5115	Screw , cooler mounting	2
24	R147006	Cooler Assembly , transmission oil ('05)	1
25	RS1028	Nut , cooler bracket attaching	1
26	RS2180	Lockwasher , cooler bracket attaching	1
27	RS0256	Bolt , cooler bracket attaching	1
28	RS0302	Bolt , cooler bracket attaching	1
29	R090010	Bracket , transmission cooler mounting	1
30	RS2058	Nut , cooler bracket attaching	1
31	R090304	Bracket , transmission cooler attaching	1
32	RS2180	Lockwasher , cooler bracket mounting	1
33	RS0316	Bolt , cooler bracket mounting (exhaust manifold bolt)	1

TRANSMISSION AND RELATED COMPONENTS (HURTH GEAR) - FIGURE 37

**A - FRONT MOUNT
SHIFT BRACKET**



PC81022CR

TRANSMISSION AND RELATED COMPONENTS (HURTH GEAR) - FIGURE 37

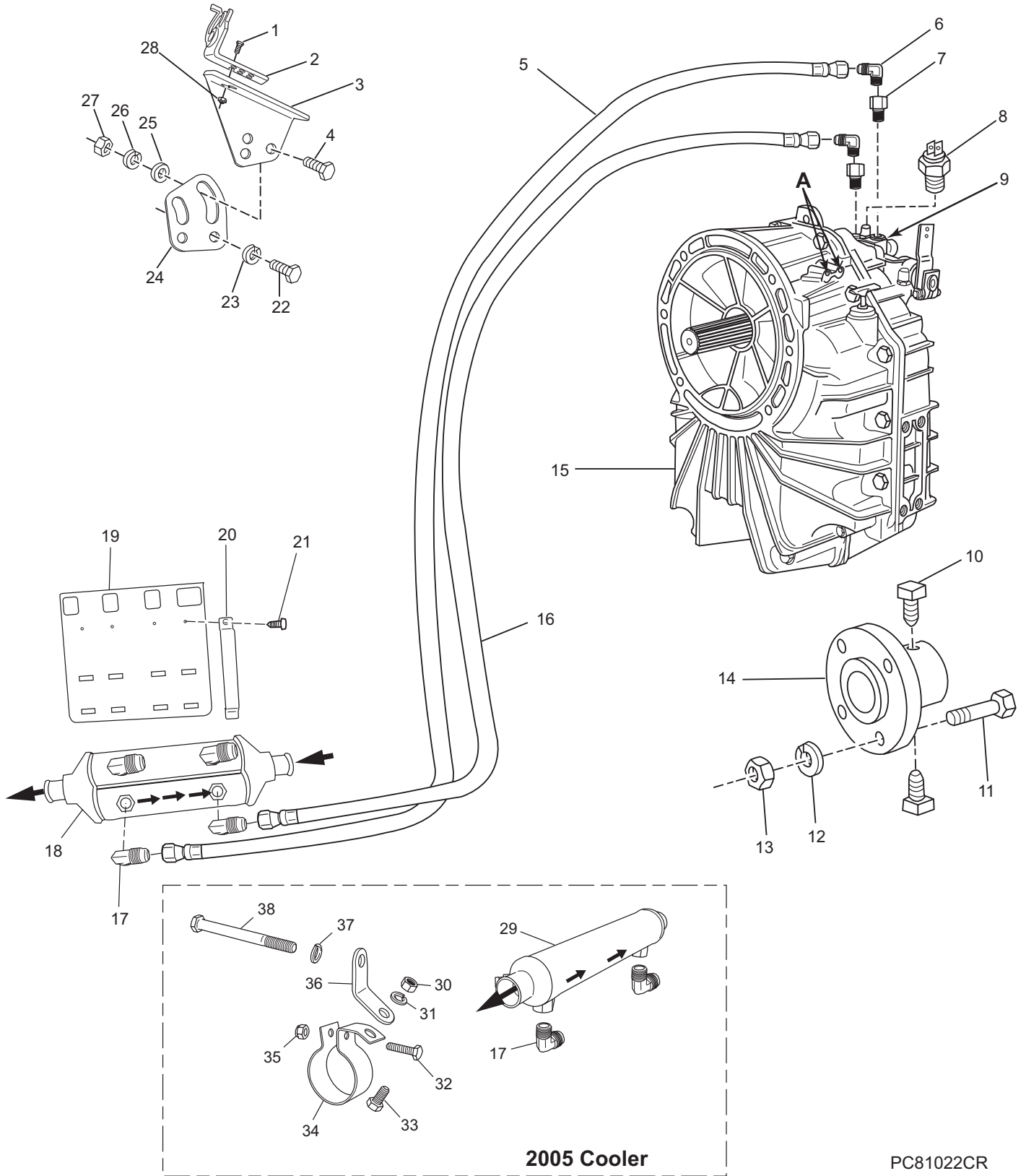
ITEM	PART NUMBER	DESCRIPTION	QUANTITY
1	RS5122	Bolt , cable clip attaching	2
2	R090086	Cable Clip , single cable	1
2	22232	Cable Clip , dual cable clip (not shown)	OPT
3	R090202	Shift Bracket , cable clip attaching	1
4	RS0282	Bolt , shift bracket attaching	2
5	RA045007H	Hose Assembly , transmission to cooler	1
6	R024010	Fitting , 90 degree	2
7	R024196	Fitting , adapter	2
8	R020037	Sender , temperature alarm	1
9	25542	Switch & O-Ring Assembly (not shown)	1
10	2000090	Screw , set - coupler	2
11	90418138	Bolt , coupling (1 3/8")	4
12	RS2181	Lockwasher , coupling bolt	4
13	RS1529	Nut , coupling bolt	4
14	R148001	Coupler , prop shaft (1" shaft)	OPT
14	R148002	Coupler , prop shaft (1 1/8" shaft)	OPT
14	R148003	Coupler , prop shaft (1 1/4" shaft)	OPT
14	R148004	Coupler , prop shaft (1 3/8" shaft)	OPT
14	R148005	Coupler , prop shaft (1 1/2" shaft)	OPT
14	R148007	Coupler , prop shaft (1 3/4" shaft)	OPT
14	R148008	Coupler , prop shaft (2" shaft)	OPT
15	RA157022	Transmission 630A (1.22:1 Reduction)	1
15	RA157022A	Transmission 630A (1.55:1 Reduction)	1
15	RA157022B	Transmission 630A (2.00:1 Reduction)	1
15	RA157022C	Transmission 630A (2.50:1 Reduction)	1
15	RA157022D	Transmission 630A (2.70:1 Reduction)	1
15	RA157023F	Transmission 800A (2.85:1 Reduction)	1
15	RA156009	Transmission 630V (1.29:1 Reduction)	1
15	RA156009A	Transmission 630V (1.50:1 Reduction)	1
15	RA156009B	Transmission 630V (2.00:1 Reduction)	1
15	RA156009C	Transmission 630V (2.50:1 Reduction)	1
16	RA045007P	Hose Assembly , cooler to transmission	1
17	R024010	Fitting , 90 degrees	2
18	R147035	Oil Cooler Assembly	1
19	R090194	Bracket , cooler	1
20	R171007	Strap , cooler mounting	2
21	RS5115	Screw , cooler mounting	2
22	RS6531	Bolt , shift bracket attaching	2
23	93930000	Lockwasher , shift bracket attaching bolt	2
24	R090235	Bracket , shift	1
25	RS2674	Washer , shift bracket attaching bolt	2
26	RS2179	Lockwasher , attaching bolt	2
27	RS1027	Nut , shift bracket attaching bolt	2
28	RS2055	Nut , cable clip attaching bolt	2

8° Down
Angle

V-Drive

TRANSMISSION AND RELATED COMPONENTS (HURTH GEAR) (cont'd) - FIGURE 37

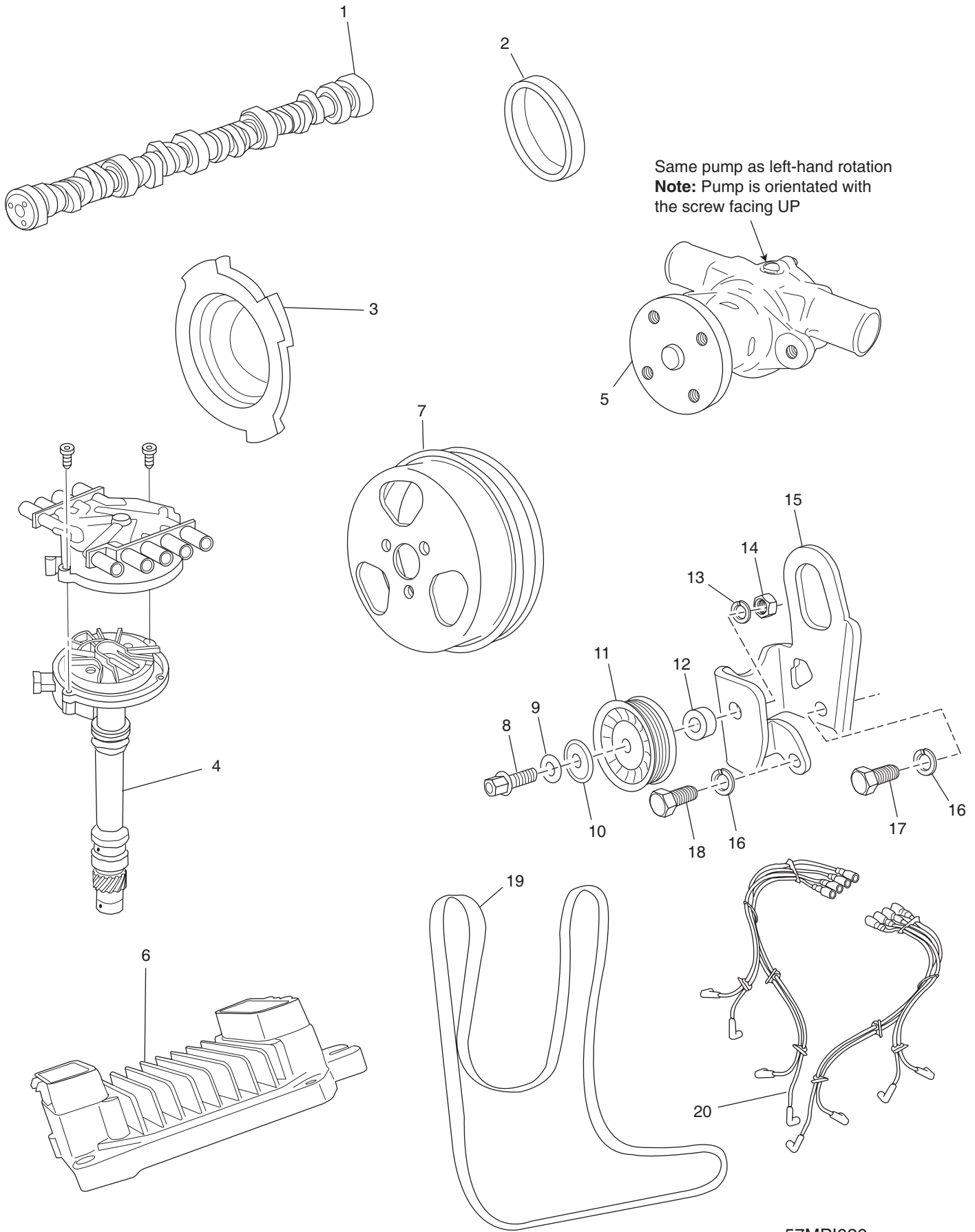
**A - FRONT MOUNT
SHIFT BRACKET**



TRANSMISSION AND RELATED COMPONENTS (HURTH GEAR) (cont'd) - FIGURE 37

ITEM	PART NUMBER	DESCRIPTION	QUANTITY
29	R147006	Cooler Assembly , transmission oil ('05)	1
30	RS1028	Nut , cooler bracket attaching	1
31	RS2180	Lockwasher , cooler bracket attaching	1
32	RS0256	Bolt , cooler bracket attaching	1
33	RS0302	Bolt , cooler bracket attaching	1
34	R090010	Bracket , transmission cooler mounting	1
35	RS2058	Nut , cooler bracket attaching	1
36	R090304	Bracket , transmission cooler attaching	1
37	RS2180	Lockwasher , cooler bracket mounting	1
38	RS0316	Bolt , cooler bracket mounting (exhaust manifold bolt)	1
NI	RP077011	Kit, transmission oil filter (ZF)	AR

RIGHT HAND ROTATION ENGINE COMPONENTS - FIGURE 38



57MPI020

RIGHT HAND ROTATION ENGINE COMPONENTS - FIGURE 38

ITEM	PART NUMBER	DESCRIPTION	QUANTITY
*	RB001005A	Base Engine Assembly (RH)	1
NI	98511	Drive Damper Assembly , (ALL RH rotation)	1
1	RA050022	Camshaft , engine (RH)	1
2	R047175	Seal , crankshaft rear oil (RH)	1
3	R056001A	Ring , crankshaft position sensor reluctor (RH)	1
4	RA107045	Distributor Assembly (RH)	1
5	RA057031	Raw Water Pump Assembly ('02-'04) (SEE NOTE)	1
6	R116021E	Engine Control Module (5.7L - RH)	1
7	R065052A	Pulley , raw water pump (RH) , (MY '05)	1
8	98443050	Bolt , Idler Pulley attaching (MY '05)	1
9	92940000	Flat Washer , Idler Pulley attaching (MY '05)	1
10	R096145	Flat Washer , Idler Pulley attaching (MY '05)	1
11	R065054	Pulley , Idler (MY '05)	1
12	R062083	Spacer , Idler Pulley (MY '05)	1
13	93940000	Lock Washer , Idler Pulley attaching (MY '05)	1
14	L00908	Nut , Idler Pulley attaching (MY '05)	1
15	R090307	Bracket , Idler pulley 5.7 (RH) (MY '05)	1
16	RS2180	Lock Washer , Idler bracket attaching (MY '05)	2
17	RS0304	Bolt , Idler bracket attaching, upper (MY '05)	1
18	RS0306	Bolt , Idler bracket attaching, lower (MY '05)	1
19	R066029A	Belt , serpentine drive, 5.7L (RH) (MY '05)	1
20	RK120020	Spark Plug Wire Set (5.0/5.7 RH)	1

ITEM	PART NUMBER	DESCRIPTION	QUANTITY
*	RK173089A	Kit, On-Board Parts 5.7L, FCC Fuel System	
	22433	Box , On-Board Kit	1
	96307	V-Belt , alternator drive	1
	R103011	Rotor , Distributor (HVS)	1
	RA108009	Cap , Distributor (HVS)	1
	R130012	Relay , 12V, Fuel Pump, Start, MEFI	1
	RP030010	Spark Plug , set of 8, Platinum	1
	RP061017	Impeller Kit	1
	RP080026	Filter & O-Ring , kit, FCC	1
*	RK173089B	Kit, On-Board Parts 5.7L, Returnless Fuel System (thru S/N 630209)	
	22433	Box , On-Board Kit	1
	96307	V-Belt , alternator drive	1
	R103011	Rotor , Distributor (HVS)	1
	RA108009	Cap , Distributor (HVS)	1
	R130012	Relay , 12V, Fuel Pump, Start, MEFI	1
	RP030010	Spark Plug , set of 8, Platinum	1
	RP061017	Impeller Kit	1
	R077013	Filter Screen , 115 micron, Oberg Fuel Filter	1
	47047	Filter Element , Racor fuel/water separator	1
*	RK173089C	Kit, On-Board Parts 5.7L, Returnless Fuel System (S/N 630210 thru present)	
	22433	Box , On-Board Kit	1
	96307	V-Belt , alternator drive	1
	R103011	Rotor , Distributor (HVS)	1
	RA108009	Cap , Distributor (HVS)	1
	R130012	Relay , 12V, Fuel Pump, Start, MEFI	1
	RP030010	Spark Plug , set of 8, Platinum	1
	RP061017	Impeller Kit	1
	R077012	Filter Screen , Oetiker Fuel Filter	1
	47047	Filter Element , Racor fuel/water separator	1

ITEM	PART NUMBER	DESCRIPTION	QUANTITY
*	RK173089D-05	Kit, On-Board Parts 5.7L (LH), FCC Fuel System	
	22433	Box , On-Board Kit	1
	R066028	Belt , Serpentine	1
	R103011	Rotor , Distributor (HVS)	1
	RA108009	Cap , Distributor (HVS)	1
	R153017B	Fuse , 20 Amp	3
	R130012	Relay , 12V, Fuel Pump, Start, MEFI	1
	RP030010	Spark Plug , set of 8, Platinum	1
	RP061022	Impeller Kit	1
	RP077014	Primary Fuel Filter Element , 150 Micron	1
	RP080026	Filter & O-Ring , kit, FCC	1
*	RK173089E-05	Kit, On-Board Parts 5.7L (RH), FCC Fuel System	
	22433	Box , On-Board Kit	1
	R066029A	Belt , Serpentine	1
	R103011	Rotor , Distributor (HVS)	1
	RA108009	Cap , Distributor (HVS)	1
	R153017B	Fuse , 20 Amp	3
	R130012	Relay , 12V, Fuel Pump, Start, MEFI	1
	RP030010	Spark Plug , set of 8, Platinum	1
	RP061022	Impeller Kit	1
	RP077014	Primary Fuel Filter Element , 150 Micron	1
	RP080026	Filter & O-Ring , kit, FCC	1
*	RK173089F-05	Kit, On-Board Parts 5.7L (LH), Returnless Fuel System	
	22433	Box , On-Board Kit	1
	R066028	Belt , Serpentine	1
	R103011	Rotor , Distributor (HVS)	1
	RA108009	Cap , Distributor (HVS)	1
	R153017B	Fuse , 20 Amp	3
	R130012	Relay , 12V, Fuel Pump, Start, MEFI	1
	RP030010	Spark Plug , set of 8, Platinum	1
	RP061022	Impeller Kit	1
	RP077014	Primary Fuel Filter Element , 150 Micron	1
	47047	Filter Element , Racor fuel/water separator	1
*	RK173089G-05	Kit, On-Board Parts 5.7L (RH), Returnless Fuel System	
	22433	Box , On-Board Kit	1
	R066029A	Belt , Serpentine	1
	R103011	Rotor , Distributor (HVS)	1
	RA108009	Cap , Distributor (HVS)	1
	R153017B	Fuse , 20 Amp	3
	R130012	Relay , 12V, Fuel Pump, Start, MEFI	1
	RP030010	Spark Plug , set of 8, Platinum	1
	RP061022	Impeller Kit	1
	RP077014	Primary Fuel Filter Element , 150 Micron	1
	47047	Filter Element , Racor fuel/water separator	1